

Habasit ABT, Inc.  
Seamless Belts  
4022

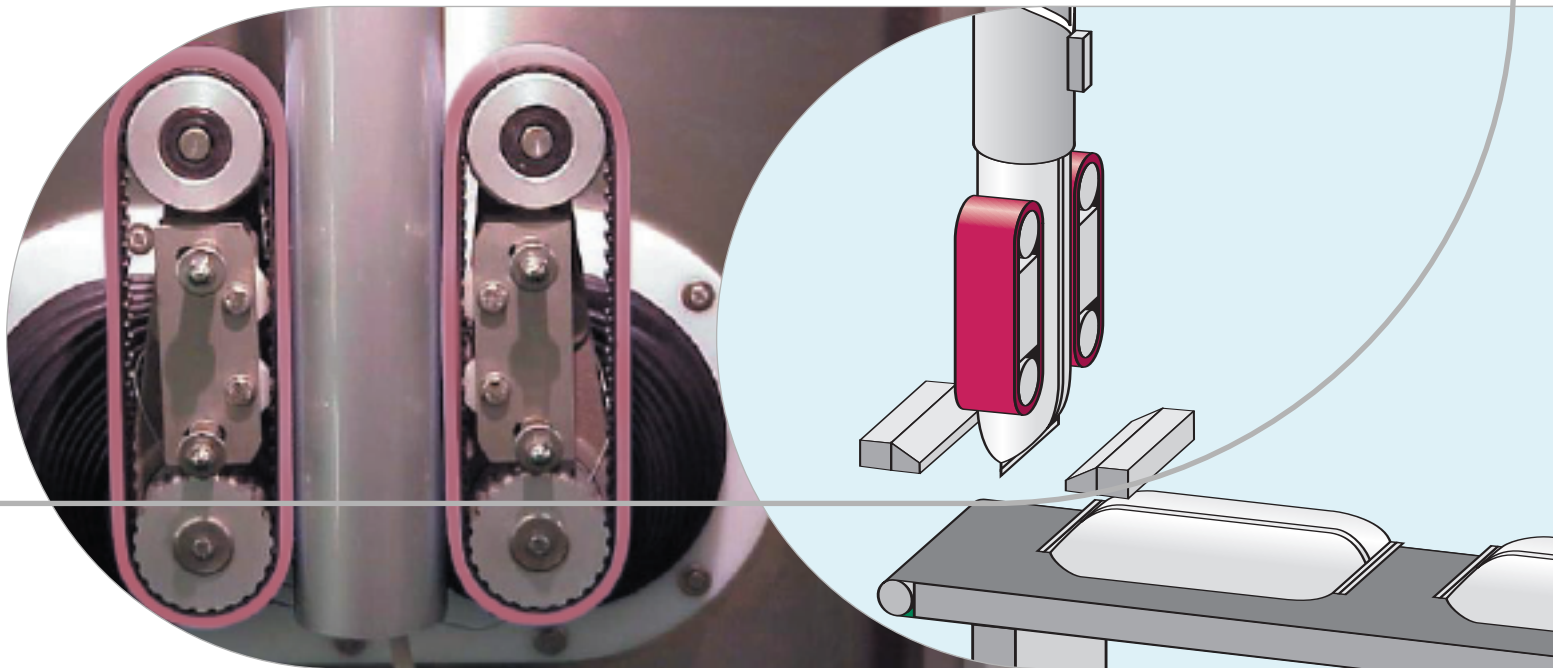


## **GRABBER™**

FFS Series

Vertical Form-Fill-Seal

Habasit–Solutions in motion



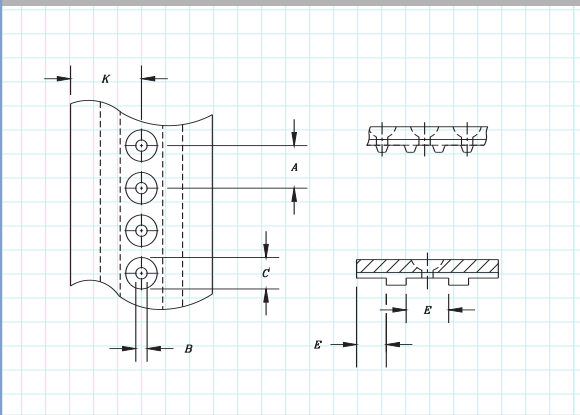
# Designed to excel PROVEN IN THE FIELD!

## The **habasit** advantages

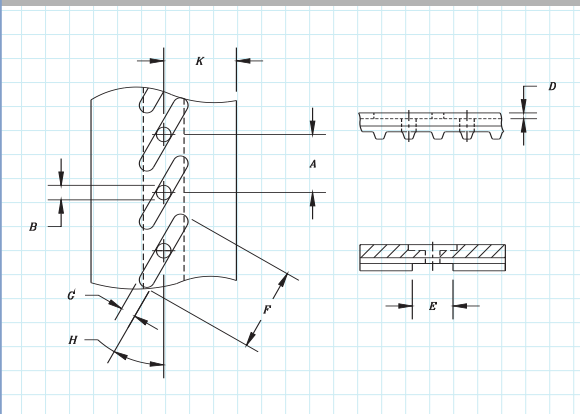
- **35A red natural rubber for superb friction**
- **Timing belt substrate for exact run**
- **Seamless cover for uniform wear**
- **Precise fabrication machining for excellent vacuum**
- **Excellent flexibility prevents cracking or tearing**
- **No splice or seam for increased reliability**
- **Non-glazing compound eliminating slick surfaces**
- **Homogenous ablative cover material for consistent friction**
- **Premium friction with excellent abrasion resistance**

Longer belt life!

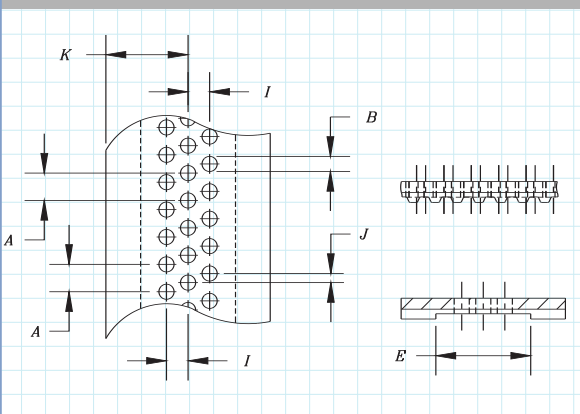
Countersunk, Grooved on Timing Side



Diagonal Slots, Grooved on Timing Side



Perforated (3 rows), Grooved on Timing Side



# Referenced to OEM part number

## EASY ORDERING!

### Parts list

OEM	Part Number	Size	Type	Cover Material	Notes
AppecAstro		50T10-700 x 4.5mm	VFAA001H04	35A Red Natural Rubber	Grooved on Timing side only
Robert Bosch	8 101 825 307	50T10-920 x 4.5mm	VFBO001H04	35A Red Natural Rubber	Diagonal slots, Grooved on Timing side
Verpakkingsmachines	8 101 857 314	50T10-920 x 4.5mm	VFBO002H04	35A Red Natural Rubber	Diagonal slots, Grooved on Timing side
		50T10-920 x 4.5mm	VFBO006H04	35A Red Natural Rubber	Horizontal slots, Grooved on Timing side
		37T10-920 x 4.5mm	VFBO007H04	35A Red Natural Rubber	Horizontal slots, Grooved on Timing side
Fuji Machinery	GB109001	40-S8M-632 x 4.0mm	VFFJ001H04	35A Red Natural Rubber	Perforated, Grooved on Timing side
Hayssen	10197A0485	24 x 606 x 6.2mm	VFHA001H04	35A Red Natural Rubber	
	10197A0540	24 x 708 x 6.2mm	VFHA002H04	35A Red Natural Rubber	
	10197A0616	280XL094 x 6.4mm	VFHA003H04	35A Red Natural Rubber	
	10197A0615	280XL044 x 6.4mm	VFHA004H04	35A Red Natural Rubber	
Ilapak	1E-520A	270L100 x 7.0mm	VFSI001H04	35A Red Natural Rubber	
	CM17000003	270L100 x 9.5mm	VFSI002H04	35A Red Natural Rubber	
	CM17000015	50T10-530 x 3.0mm	VFSI003H04	35A Red Natural Rubber	Diagonal slots, Grooved on Timing side
	CM17000024	50T10-720 x 3.0mm	VFSI004H04	35A Red Natural Rubber	Diagonal slots, Grooved on Timing side
	CM17000028	50T10-440 x 6.35mm	VFSI005H04	35A Red Natural Rubber	
	CM17000045	25T10-560 x 6.35mm	VFSI006H04	35A Red Natural Rubber	
	CM17000048	50T10-720 x 3.0mm	VFSI007H04	35A Red Natural Rubber	Vertical slots, Grooved on Timing side
	CM17000050	50T10-530 x 3.0mm	VFSI008H04	35A Red Natural Rubber	Vertical slots, Grooved on Timing side
CM17000061	25T10-440 x 6.35mm	VFSI009H04	35A Red Natural Rubber		
Iman Pack		300H200 x 8.0mm	VFIP001H04	35A Red Natural Rubber	
Ishida	03-5-044	255H150 x 3.0mm	VFIS001H04	35A Red Natural Rubber	Perforated, Grooved on Timing side
Kiiklok-Woodman	013756P	240XL150 x 6mm	VFWK001H04	35A Red Natural Rubber	
Mesoma	15.02.04.10.011.4	26T10-630 x 6mm	VFME001C01	55A Green Natural Rubber	Countersunk, Grooved on Timing side
	15.02.04.29.003.4	58T10-630 x 6mm	VFME002C01	55A Green Natural Rubber	Perforated, Grooved on Timing side
	15.02.04.23.002.4	26T10-630 x 6mm	VFME003C01	55A Green Natural Rubber	Perforated, Grooved on Timing side
	15.02.04.95.016.4	50T10-630 x 6mm	VFME004C01	55A Green Natural Rubber	Countersunk, Grooved on Timing side
	15.02.04.11.003.4	26T10-630 x 6mm	VFME005H04	35A Red Natural Rubber	Perforated, Grooved on Timing side
	15.02.04.11.002.4	26T10-630 x 6mm	VFME003H04	35A Red Natural Rubber	Perforated, Grooved on Timing side
	15.02.04.25.001.4	26T10-630 x 6mm	VFME001H04	35A Red Natural Rubber	Countersunk, Grooved on Timing side
	15.02.04.11.023.4	58T10-630 x 6mm	VFME002H04	35A Red Natural Rubber	Perforated, Grooved on Timing side
	15.02.04.02.015.4	225L100 x 6mm	VFME006H04	35A Red Natural Rubber	
15.02.04.19.001.4	225L100 x 6mm	VFME007C01	55A Green Natural Rubber		
X-110-M-007-00	330H300 x 6.5mm	VFME008H04	35A Red Natural Rubber		
Package Machinery		3.00" x 35.00" x .160"	VFPM001H04	35A Red Natural Rubber	Perforated (3 rows)
		3.00" x 35.00" x .160"	VFPM002H04	35A Red Natural Rubber	Perforated (5 rows)
Ricciarelli		45 x 465 x 12.00mm	VFRI001H04	35A Red Natural Rubber	
Rovema	1.010.04.2.018.23	50T10-630 x 6mm	VFRV001H04	35A Red Natural Rubber	Grooved on Timing side only
	1.207.04.1.002.00	50T10-630 x 4.5mm	VFRV002H04	35A Red Natural Rubber	Countersunk, Grooved on Timing side
	1.200.04.1.047.00	50T10-630 x 6.2mm	VFRV003H04	35A Red Natural Rubber	
	1.010.04.2.137.23	50T10-630 x 4.5mm	VFRV004H04	35A Red Natural Rubber	Countersunk, Grooved on Timing side
	1.207.04.1.014.01	30T10-630 x 4.5mm	VFRV005H04	35A Red Natural Rubber	Countersunk, Grooved on Timing side
	1.010.04.2.138.23	29T10-630 x 6.4mm	VFRV006H04	35A Red Natural Rubber	Grooved on Timing side only
Sandiacre	1226BL	225L094 x 6.5mm	VFSD001H04	35A Red Natural Rubber	
	BA 137200	270L098 x 4.5mm	VFSD002H04	35A Red Natural Rubber	Diagonal slots, Grooved on Timing side
	BA 137200	270L098 x 4.5mm	VFSD003H04	35A Red Natural Rubber	Diagonal slots, Grooved on Timing side
Simionato		255L150 x 8.00mm	VFSM001H04	35A Red Natural Rubber	
Stiavelli	11454D	50T10-630 x 4.5mm	VFST001H04	35A Red Natural Rubber	Horizontal slots, Grooved on Timing side
TNA		368L051 x 4.5mm	VFTN001E04	60A Black Natural Rubber	Perforated
		368L051 x 4.5mm	VFTN002E04	60A Black Natural Rubber	Countersunk
Triangle Packaging	03-326-05	340XL178 x .080"	VFTR001P01	40A Clear Polyurethane	Diagonal slots, Grooved on Timing side
Volpak	101B.0402.00.006.003	50T10-630 x 4.5mm	VFVO001H04	35A Red Natural Rubber	Grooved on Timing side only
	101A.0402.00.006.003	50T10-630 x 4.5mm	VFVO002H04	35A Red Natural Rubber	Countersunk, Grooved on Timing side

Consult Habasit for sizes, properties and manufacturers not listed above.

**Austria**

Habasis GmbH, Wien  
Phone +43 1 690 66  
www.habasis.at

**Belgium**

Habasis Belgium N.V., Zaventem  
Phone +32 2 725 04 30  
www.habasis.be

**Canada**

Habasis Canada, Ltd. Oakville  
Phone +1 905 827 41 31  
www.habasis.ca

**China**

Habasis East Asia Ltd.,  
Hong Kong  
Phone +852 2145 0150  
www.habasis.com

**Czech Republic**

Habasis Bohemia spol.s r.o., Brno  
Phone +420 5 41 421 651  
www.habasis.cz

**France**

Habasis France S.A., Mulhouse  
Phone +33 389 33 89 03  
www.habasis.fr

**Germany**

Habasis GmbH, Eppertshausen  
Phone +49 6071 969 0  
www.habasis.de

**Hungary**

Habasis Hungaria Kft., Esztergom  
Phone +36 33 510 610  
www.habasis.hu

**India**

Habasis-Iakoka Pvt. Ltd.  
Coimbatore  
Phone +91 422 262 78 79  
www.habasisiakoka.com

**Italy**

Habasis Italiana S.p.A., (Milano)  
Cesano Boscone  
Phone +39 0438 911 444  
www.habasis.it

**Japan**

Habasis Nippon Co. Ltd.,  
Yokohama  
Phone +81 45 476 03 71  
www.habasis.co.jp

**Latvia**

Habasis Baltic SIA, Daugavpils  
Phone +371 54 074 88  
www.habasis.at

**Netherlands**

Habasis Netherlands BV, Nijkerk  
Phone +31 33 247 20 30  
www.habasis.nl

**Norway**

Habasis Norge A/S, Oslo  
Phone +47 22 90 92 80  
www.habasis.se

**Romania**

Habasis Import/Export Romania  
SRL, Bucuresti  
Phone +40 21 323 95 65  
www.habasis.at

**Singapore**

Habasis Far East Pte. Ltd.,  
Singapore  
Phone +65 6 862 55 66  
www.habasis.com.sg

**Spain**

Habasis Hispanica S.A.,  
Barbera del Valles  
Phone +34 93 719 19 12  
www.habasis.com

**Sweden**

Habasis AB, Hindas  
Phone +46 301 226 00  
www.habasis.se

**Switzerland**

Habasis AG, Reinach  
Phone +41 61 715 15 75  
www.habasis.ch

**Taiwan**

Habasis East Asia Ltd.,  
Tucheng City, Taipei Hsien  
Phone +886 2 8261 8330  
www.habasis.com

**Ukraine**

Habasis Ukraina, Vinnica  
Phone +38 0432 53 60 78  
or +38 0432 53 67 38  
www.habasis.at

**United Kingdom**

Charles Walker Ltd.,  
Bingley  
Phone +44 1274 560211  
www.charleswalker.co.uk

**United Kingdom**

Habasis (UK) Ltd., Corby  
Phone +44 1536 40 23 40  
www.habasis.co.uk

**USA**

Habasis ABT Inc., Middletown  
Phone +1 860-632-2211  
www.habasisabt.com

**USA**

Habasis Belting Inc., Suwanee  
Phone +1 678-288-3600  
www.habasisusa.com

**PRODUCT LIABILITY, APPLICATION CONSIDERATIONS**

The proper selection and application of Habasis products, including the related area of product safety, is the responsibility of the customer. All indications / information are recommendations and believed to be reliable, but no representations, guarantees, or warranties of any kind are made as to their accuracy or suitability for particular applications. The data provided herein are based on laboratory work with small-scale test equipment, running at standard conditions, and do not necessarily match product performance in industrial use. New knowledge and experiences can lead to modifications and changes within a short time without prior notice.

BECAUSE CONDITIONS OF USE ARE OUTSIDE OF HABASIS'S AND ITS AFFILIATED COMPANIES CONTROL, WE CANNOT ASSUME ANY LIABILITY CONCERNING THE SUITABILITY AND PROCESSABILITY OF THE PRODUCTS MENTIONED HEREIN. THIS ALSO APPLIES TO PROCESS RESULTS / OUTPUT / MANUFACTURING GOODS AS WELL AS TO POSSIBLE DEFECTS, DAMAGES, CONSEQUENTIAL DAMAGES, AND FURTHER-REACHING CONSEQUENCES.

Habasis ABT Inc.  
150 Industrial Park Road  
Middletown, CT 06457  
**www.habasisabt.com**  
Telephone: 860-632-2211  
Fax: 860-632-1710  
Toll Free: 800-522-2358

**Headquarters**

Habasis AG  
CH-4153 Reinach-Basel  
Phone +41 61 715 15 15  
Fax +41 61 715 15 55  
E-mail info@habasis.com  
www.habasis.com

Registered trade marks  
4022BRO.SEB-ENG0304ABT

