

Packaging Industry Belts, Chains and Complementary Products

Habasit—Solutions in motion



Introduction	3
Liquid Packaging / Solids Packaging	4 – 5
Powder and Bulk Good Packaging	6
Labelling Unit / Check Weigher	7
Cartoning Machine / Overwrapping Machine	8 – 9
Bundling Machine / Case Packaging Machine	10 – 11
Shrinkwrapping and Packaging Line	12
Variety of Product Ranges	13
Application Overview	14 – 15
Features and Benefits	16 – 20
The Habasit Website	21
Services and Guarantees	22
The Habasit Solution	23

Product liability, application considerations

If the proper selection and application of Habasit products are NOT recommended by an authorized Habasit sales specialist, the selection and application of Habasit products, including the related area of product safety, are the responsibility of the customer.

All indications / information are recommendations and believed to be reliable, but no representations, guarantees, or warranties of any kind are made as to their accuracy or suitability for particular applications. The data provided herein are based on laboratory work with small-scale test equipment, running at standard conditions, and do not necessarily match product performance in industrial use. New knowledge and experiences can lead to modifications and changes within a short time without prior notice.

BECAUSE CONDITIONS OF USE ARE OUTSIDE OF HABASIT'S AND ITS AFFILIATED COMPANIES CONTROL, WE CANNOT ASSUME ANY LIABILITY CONCERNING THE SUITABILITY AND PROCESS ABILITY OF THE PRODUCTS MENTIONED HEREIN. THIS ALSO APPLIES TO PROCESS RESULTS / OUTPUT / MANUFACTURING GOODS AS WELL AS TO POSSIBLE DEFECTS, DAMAGES, CONSEQUENTIAL DAMAGES, AND FURTHER-REACHING CONSEQUENCES.



The Packaging Industry

Due to a great number of stringent regulations and increasing market competition, packaging industry is faced with major challenges. Companies must conform with statutory and market requirements, especially when handling delicate materials, such as foods, chemicals, pharmaceuticals or dangerous goods. These circumstances tend to incur increasing costs while customers demand a wider array of innovative products, higher quality standards, more flexibility and speed. The goal of packaging companies is therefore to achieve highest productivity with lowest marginal costs.

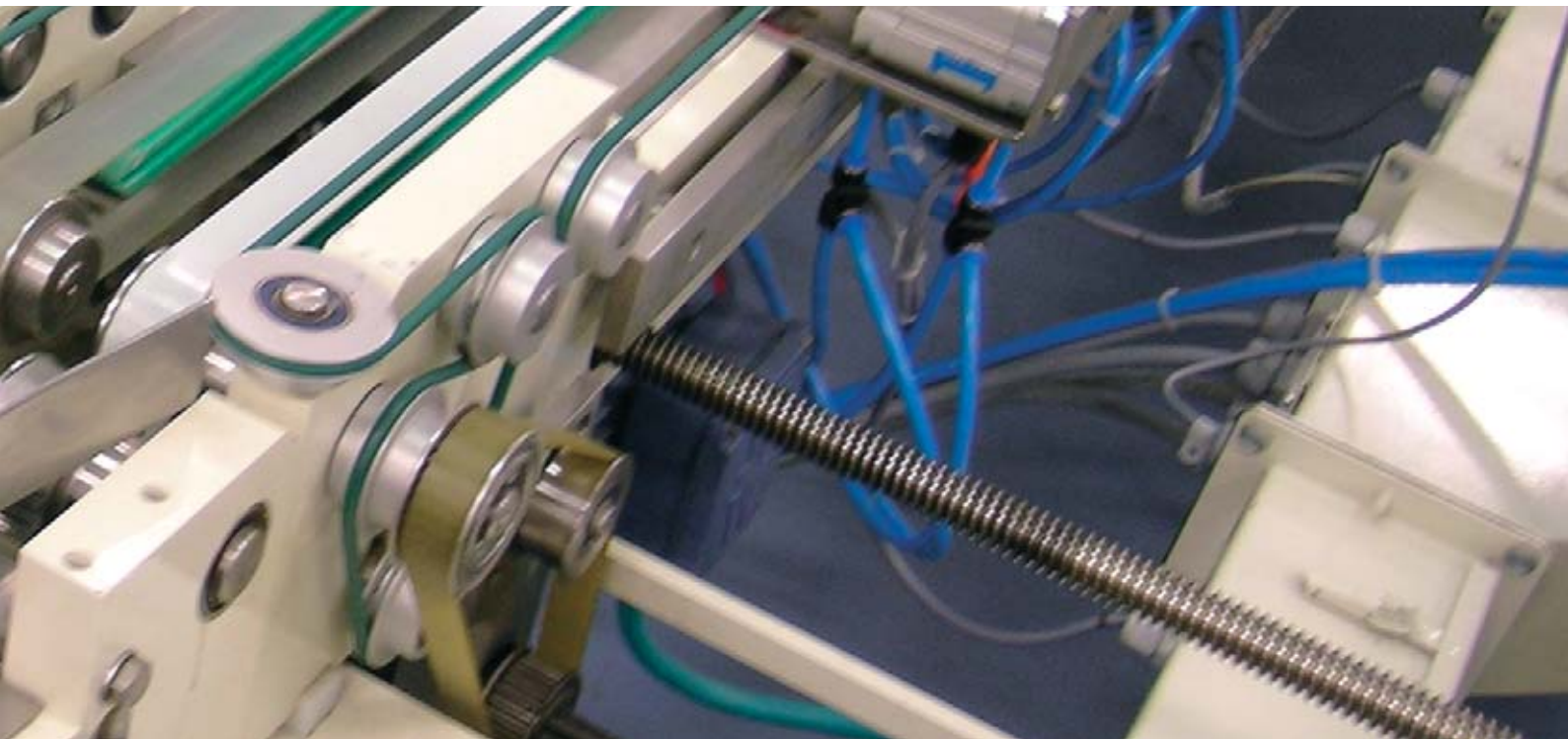
To secure a competitive advantage, improve their productivity, and avoid unexpected production halts, companies within the packaging industry are well advised to embrace innovative technologies. Choosing the right conveyor and processing belts will make the difference in the achieving major process improvements, higher productivity and lower maintenance costs.

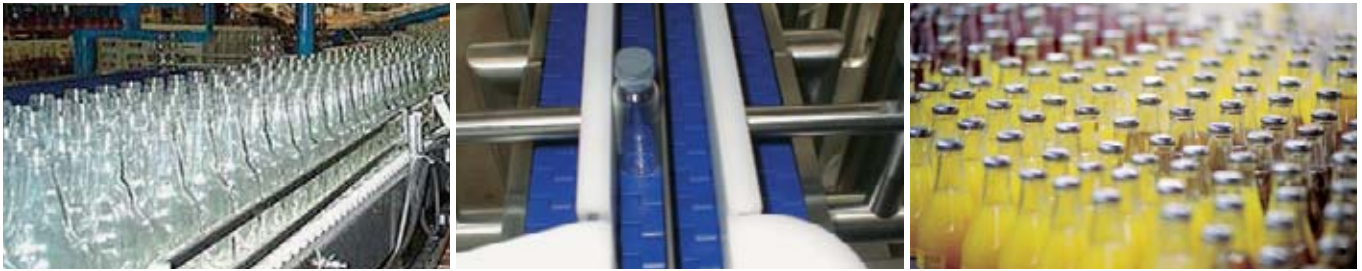
Innovation is a key word at Habasit

Our extensive range of solutions enables our customers to choose the best product for their applications.

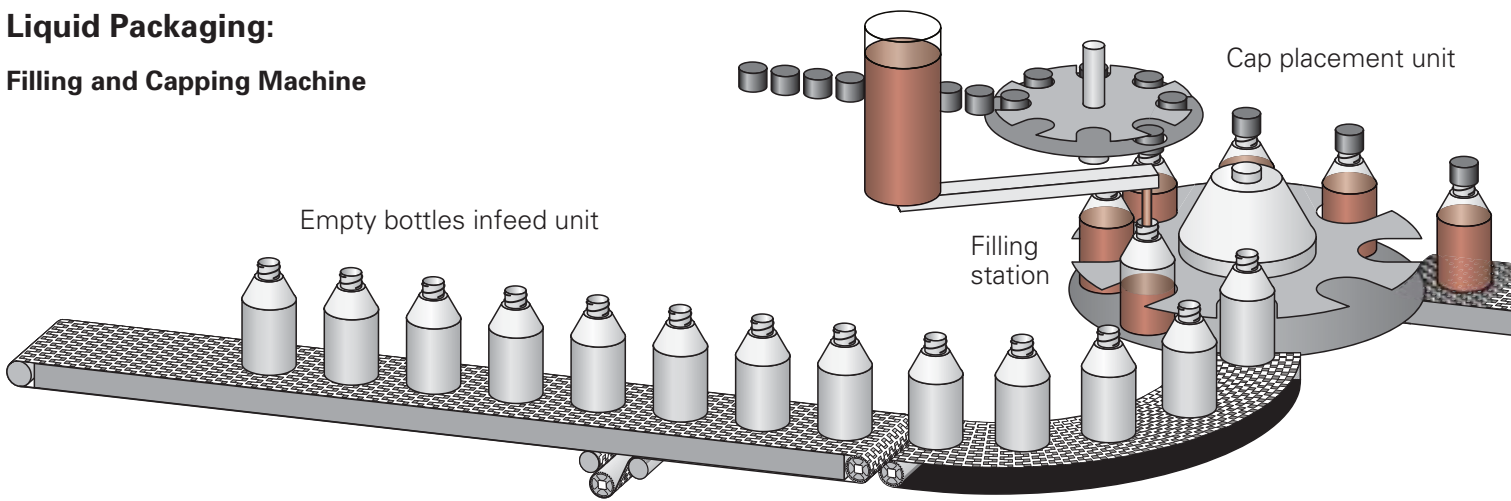
Competence and experience

Habasit application engineers, technicians and joining specialists are at your disposal to provide professional consulting, superb customer service and excellent support. Its foundation in 1946, Habasit has proven understanding of customer needs for more than 60 years. With a comprehensive global network, Habasit is able to respond to any request that you may have with nothing less than outstanding belting solutions of premium quality, tailored to your specific needs.

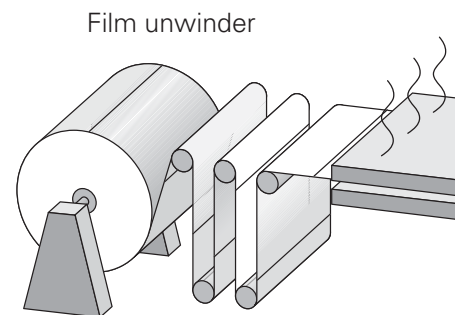




Liquid Packaging: Filling and Capping Machine



Solids Packaging: Blister Machine

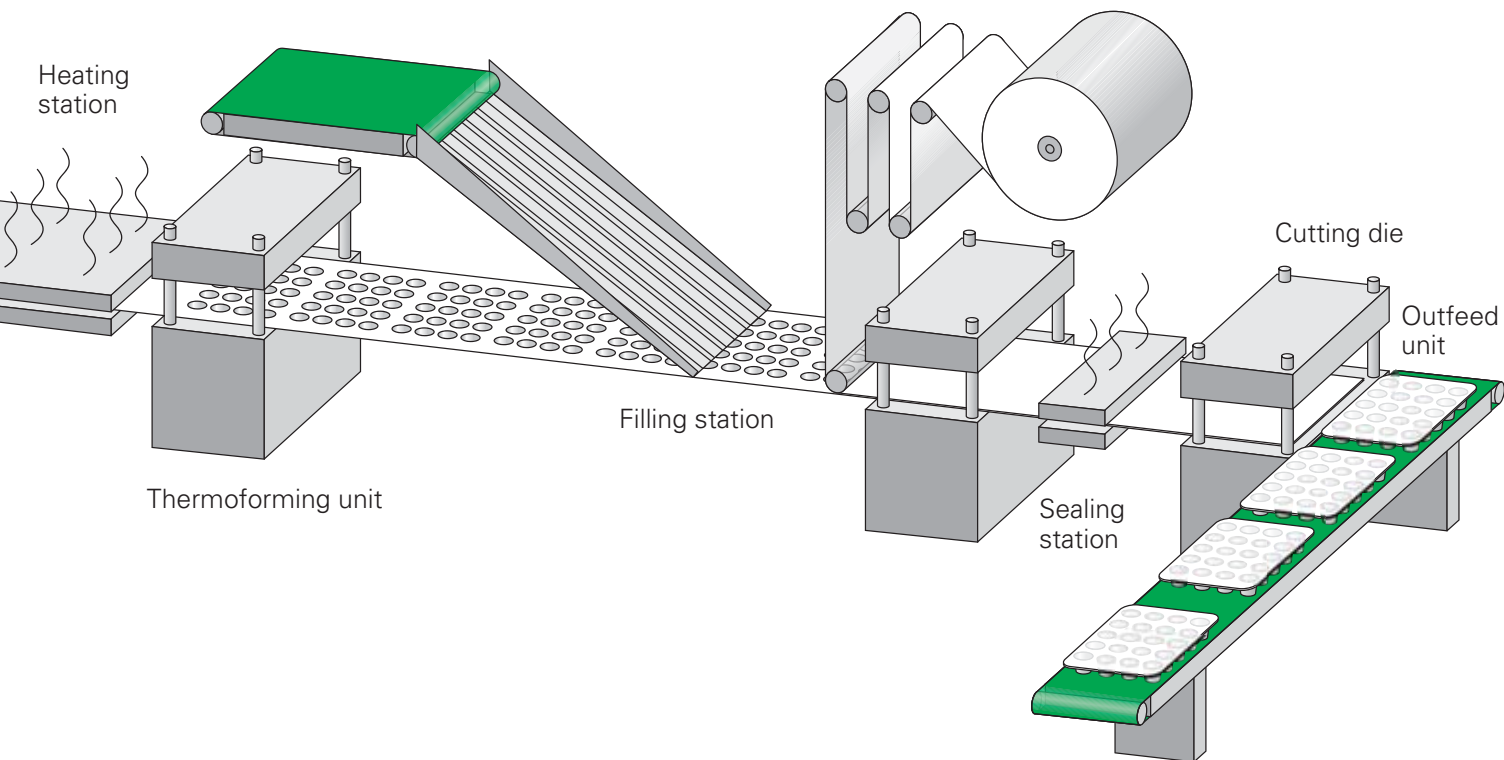
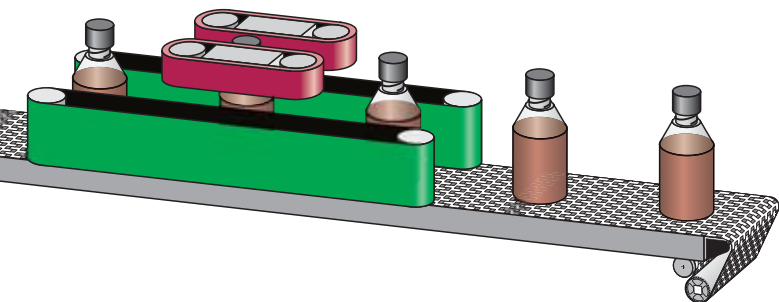


Remark: The drawings are schematic examples of selected applications / processes. The drawings do not claim completeness. The belt recommendations (use / application / layout) are only general suggestions. Due to the complexity of various processes, technical requirements and decisive external influences (e.g. nature or property of transported goods, process speed, steps of treatment / handling, environment or process temperature, humidity, chemicals, additives, ingredients, recipes, etc.) there are many possible solutions.



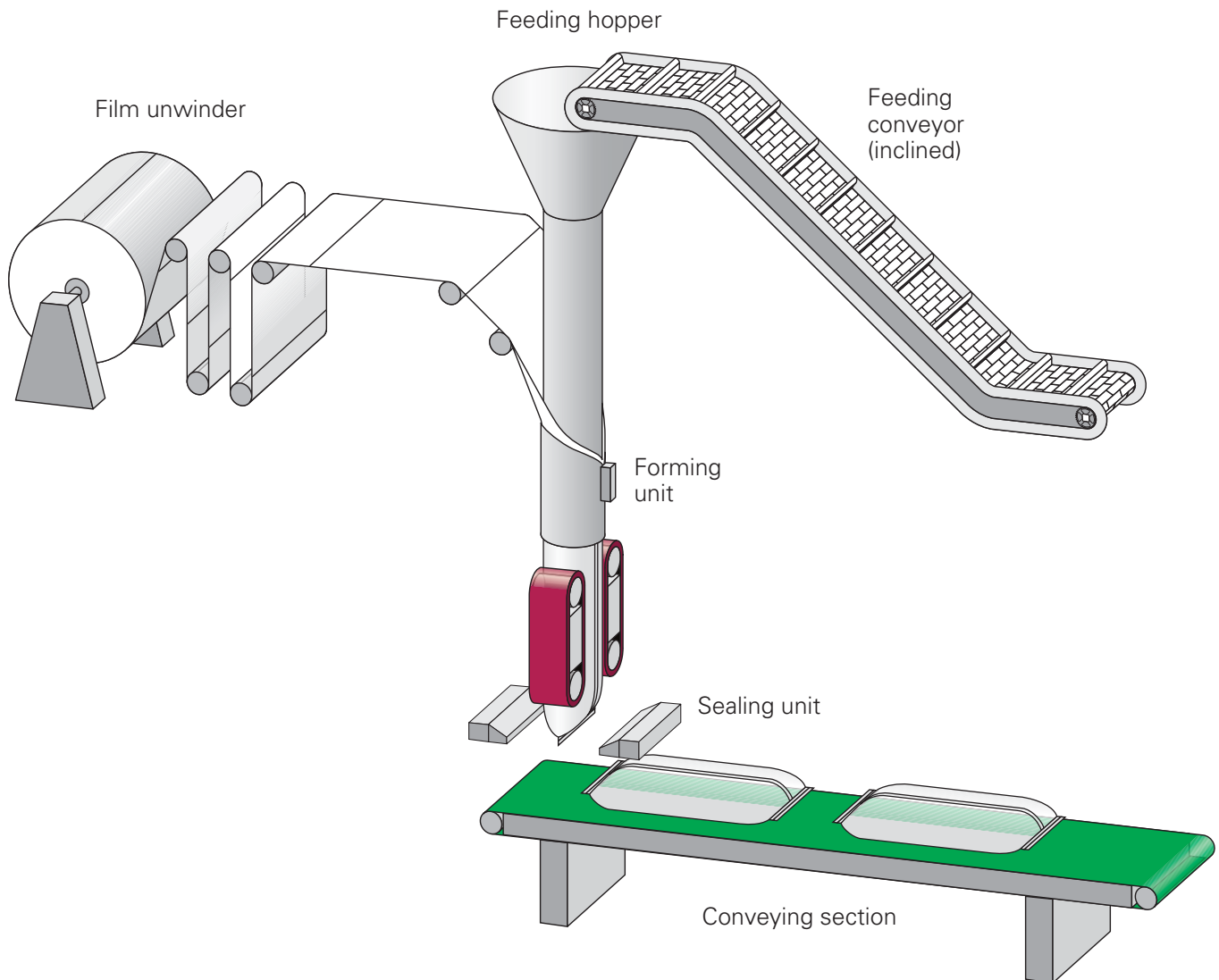
Image: Paal packaging machinery

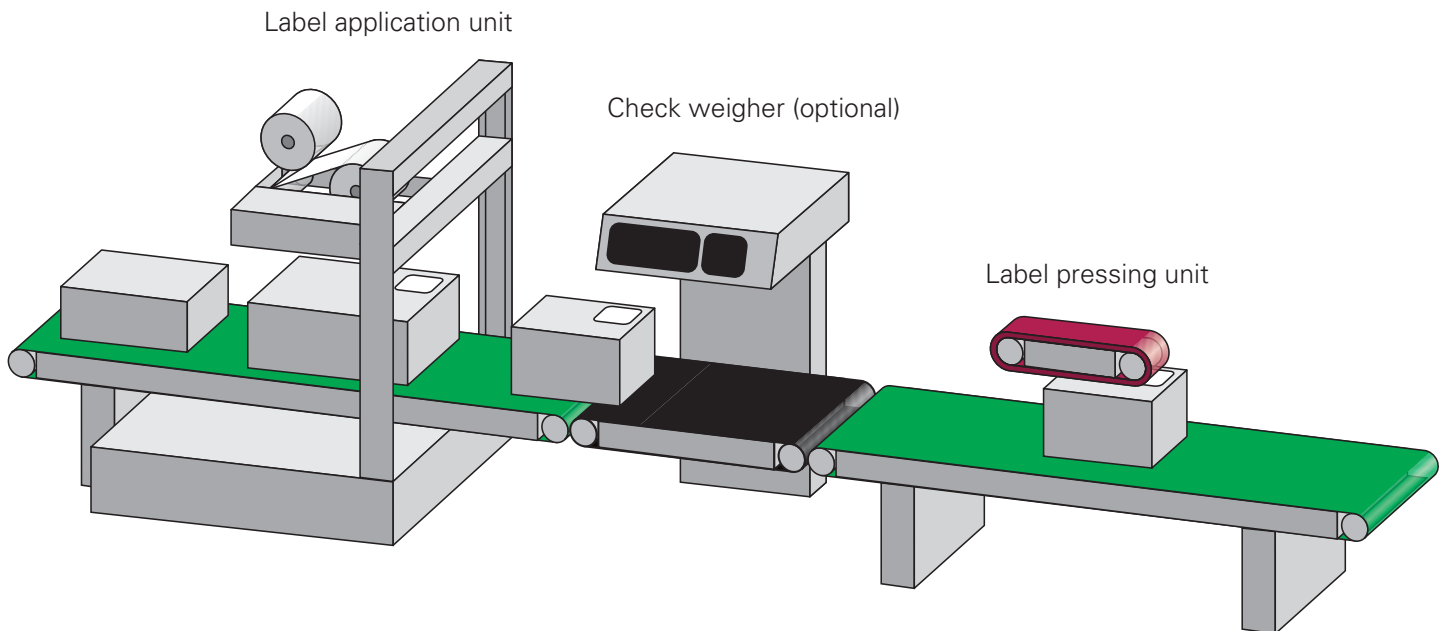
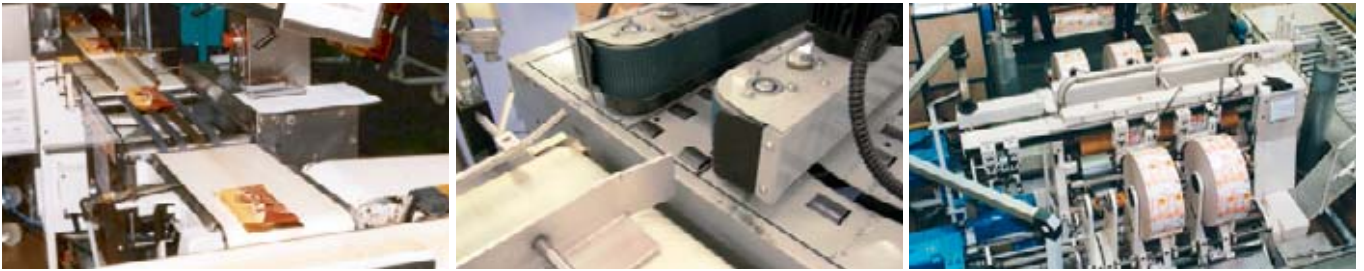
Cap sealing station





Vertical form fill seal machine (VFFS)

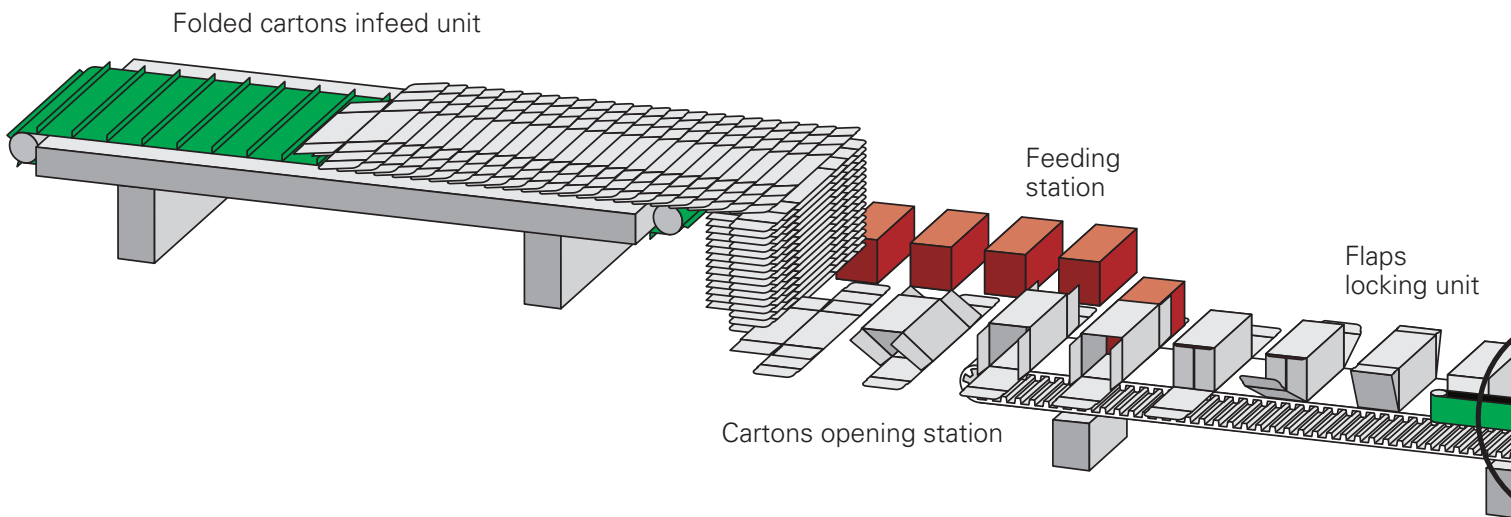




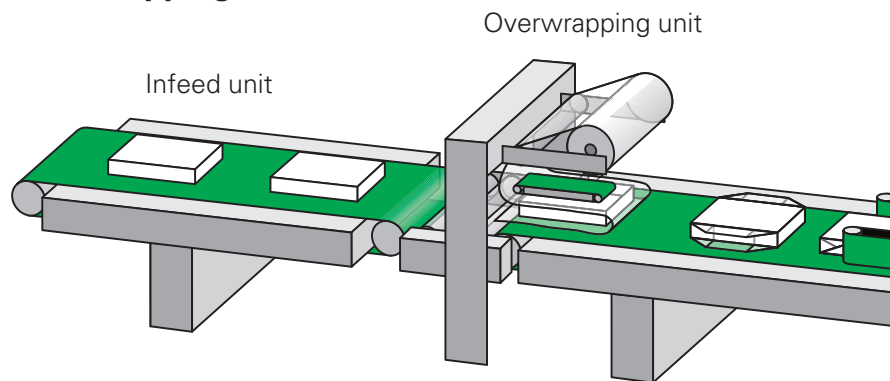
Remark: The drawings are schematic examples of selected applications / processes. The drawings do not claim completeness. The belt recommendations (use / application / layout) are only general suggestions. Due to the complexity of various processes, technical requirements and decisive external influences (e.g. nature or property of transported goods, process speed, steps of treatment / handling, environment or process temperature, humidity, chemicals, additives, ingredients, recipes, etc.) there are many possible solutions.



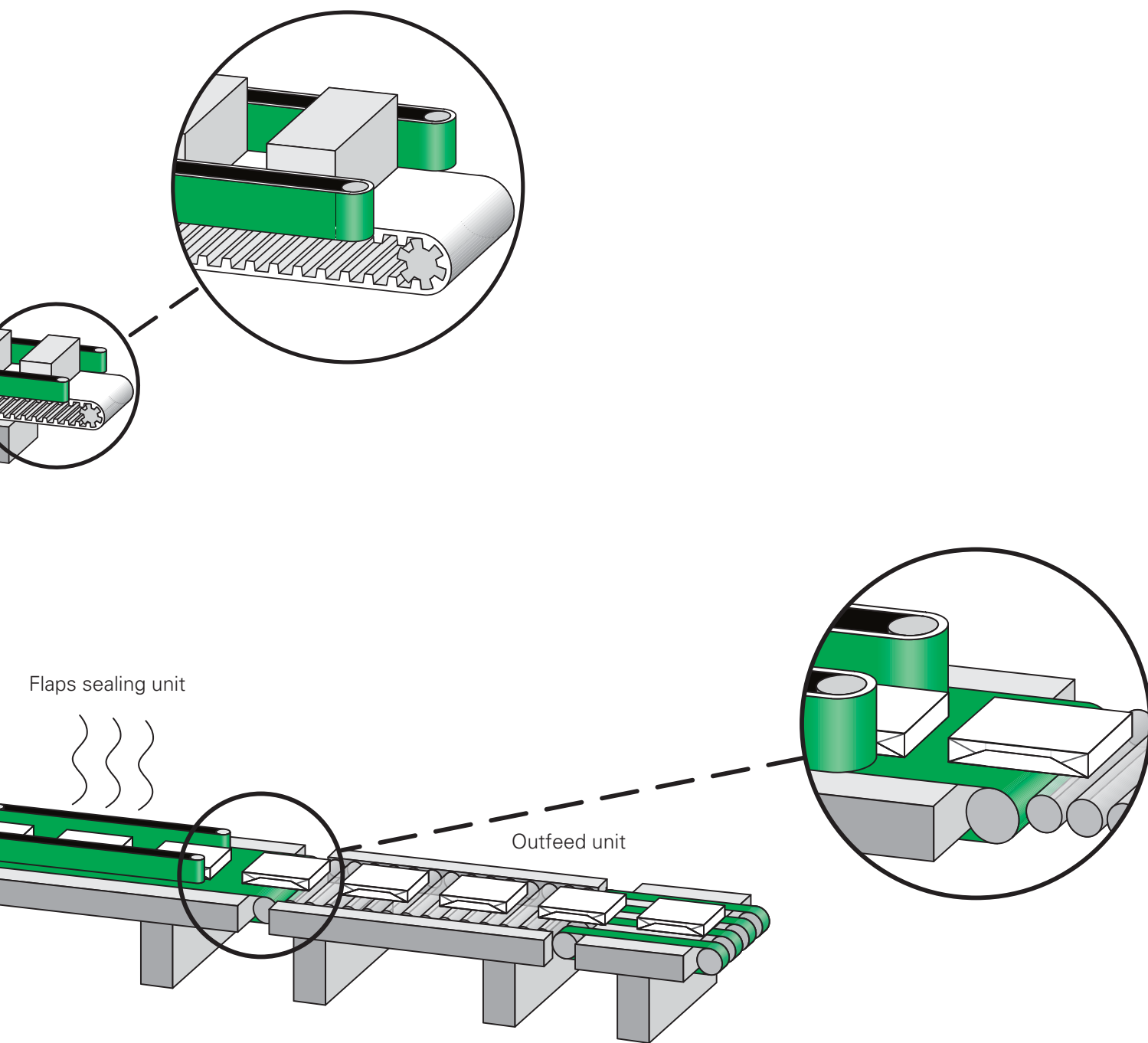
Cartoning Machine



Overwrapping Machine

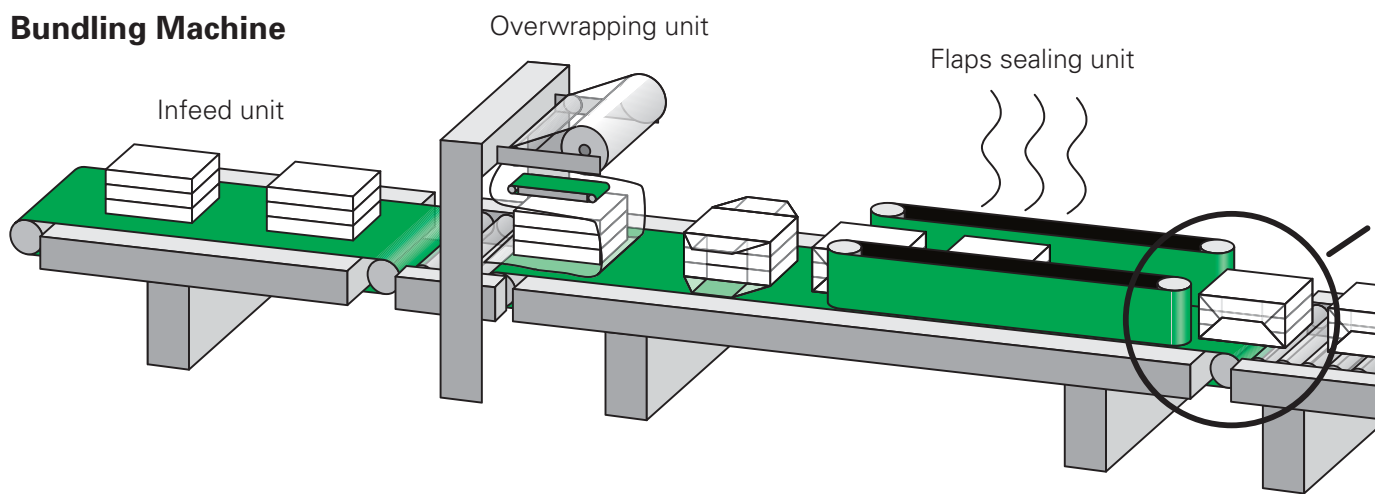


Remark: The drawings are schematic examples of selected applications / processes. The drawings do not claim completeness. The belt recommendations (use / application / layout) are only general suggestions. Due to the complexity of various processes, technical requirements and decisive external influences (e.g. nature or property of transported goods, process speed, steps of treatment / handling, environment or process temperature, humidity, chemicals, additives, ingredients, recipes, etc.) there are many possible solutions.

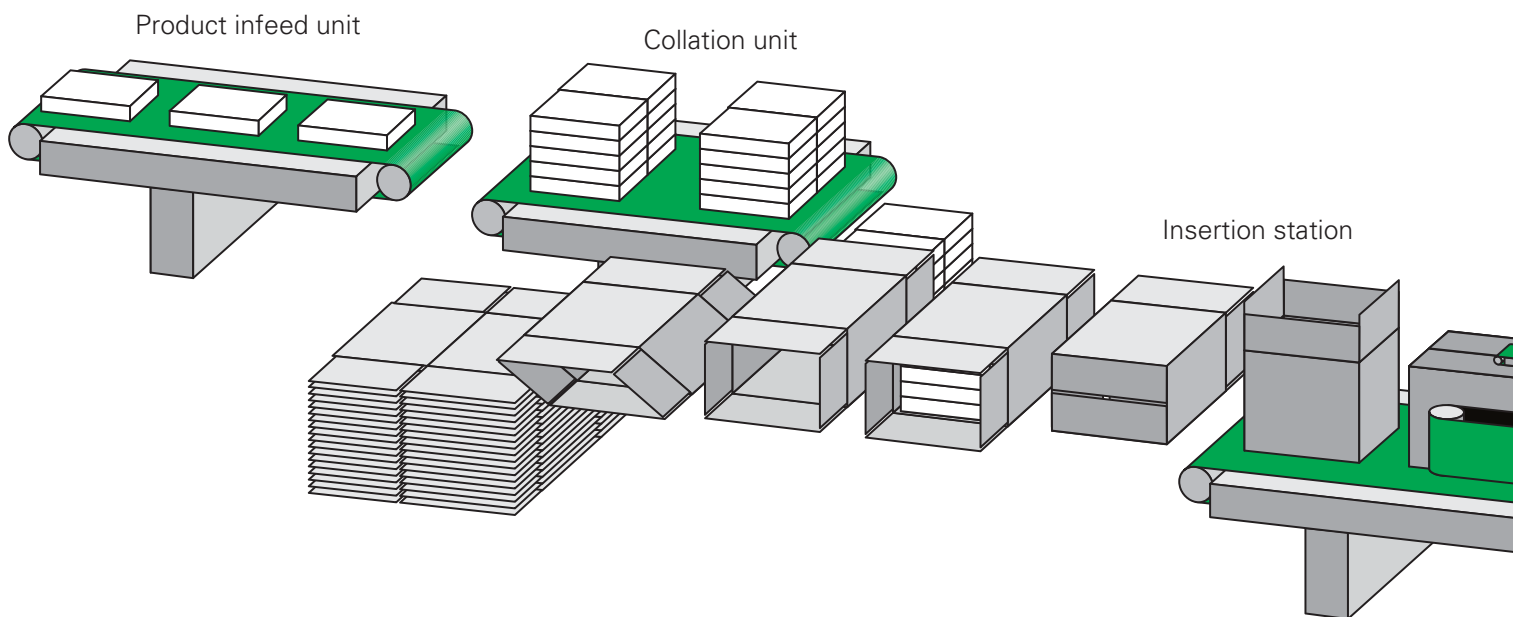


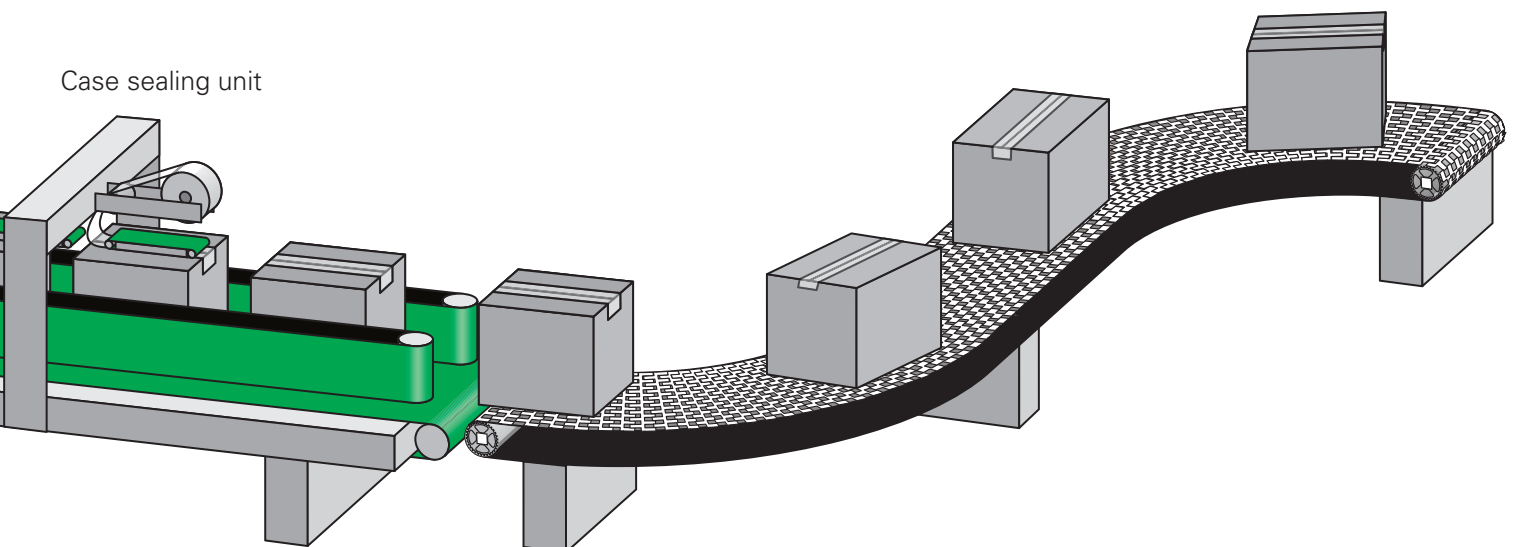
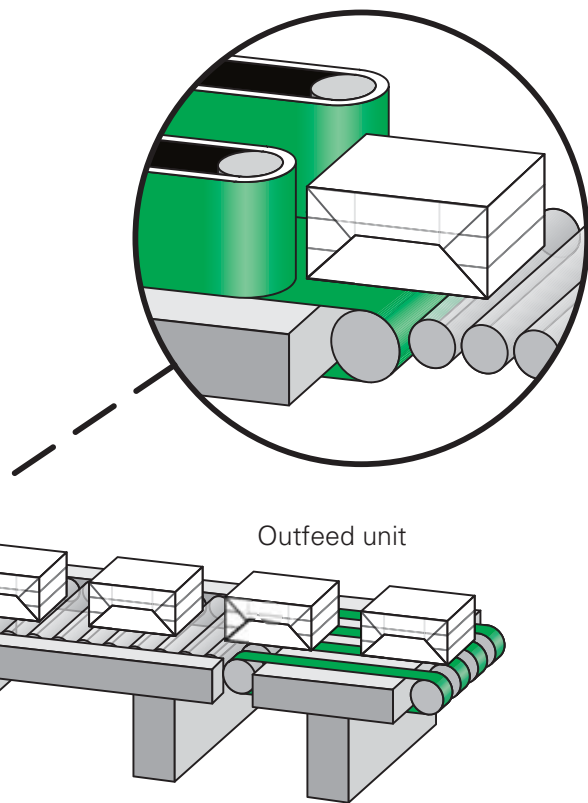


Bundling Machine

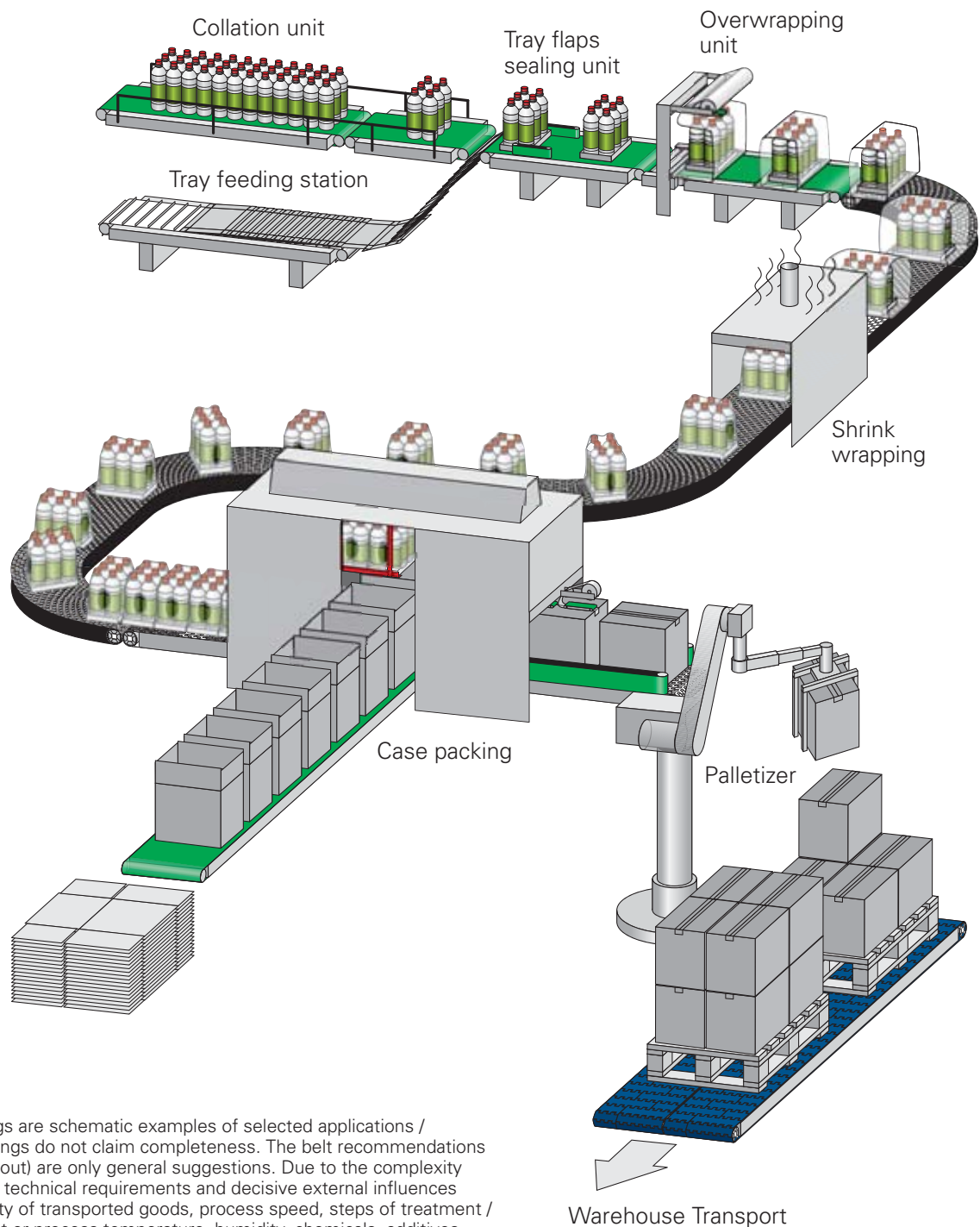


Case Packaging Machine





Remark: The drawings are schematic examples of selected applications / processes. The drawings do not claim completeness. The belt recommendations (use / application / layout) are only general suggestions. Due to the complexity of various processes, technical requirements and decisive external influences (e.g. nature or property of transported goods, process speed, steps of treatment / handling, environment or process temperature, humidity, chemicals, additives, ingredients, recipes, etc.) there are many possible solutions.



Remark: The drawings are schematic examples of selected applications / processes. The drawings do not claim completeness. The belt recommendations (use / application / layout) are only general suggestions. Due to the complexity of various processes, technical requirements and decisive external influences (e.g. nature or property of transported goods, process speed, steps of treatment / handling, environment or process temperature, humidity, chemicals, additives, ingredients, recipes, etc.) there are many possible solutions.

The right choice

Habasis has developed an extensive variety of solutions that allow customers to choose the best product for their specific application. Habasis is the only belt supplier to manufacture and offer the full package of fabric based belts, plastic modular belts, chains and timing belts.



Belt Type	Application	Liquid packaging	Vertical form fill machine (VFFS)	Blister machine	Check weigher/ Labelling Unit	Cartoning machine	Overwrapping machine	Shrinkwrapping and packing line
	Empty bottle infeed Filling station Cap placement Cap sealing Feeding conveyor (inclined) Forming unit Conveying section Filling station Outfeed unit Label application unit Check weigher Label pressing Conveyor Folder cartons infeed Cartons opening & feeding station Flaps locking Infeed Overwrapping Flaps sealing Outfeed Collation Tray feed Tray flaps sealing Overwrapping Conveyor Shrink wrapping Case packing Conveying							
Polyamide machine tapes								
A-1		•		•		•	•	•
F-0		•		•		•	•	•
F-1		•		•		•	•	•
F-2		•		•		•	•	•
HAM-5P		•		•		•	•	•
Extraline processing belts								
WVT-140						•		•
Grabber belts (seamless belts rubber covered)								
Various types		•	•		•		•	
Panther (seamless belts)								
Various types					•			
Plastic modular belts								
M1220 Flat Top	•	•	•	•	•	•	•	•
M1220 Grip Top					•	•		•
M1230 Flush Grid	•	•	•	•	•	•	•	•
M2420 Flat Top	•	•	•	•	•	•	•	•
M2470 Flat Top	•	•	•	•	•	•	•	•
M2520 Flat Top	•	•	•	•	•	•	•	•
M2520 Grip Top					•	•		•
M2520 Roller Top						•		•
M2531 Raised Rib	•	•	•				•	•
M2533 Flush Grid	•	•	•	•	•		•	•
M2533 Grip Top				•	•			•
M2533 Roller Top						•		•
M2540 Radius Flush Grid	•	•		•	•			•
M2540 Radius Grip Top						•		•
M2540 Roller Top								•
M2543 Tight Radius				•	•			•
M2585-S Flush Grid								•
M2585-P Flush Grid								
M2620 Flat Top Heavy Duty	•	•	•	•	•	•	•	•
M2620 Grip Top				•	•	•		•
M2670 Flat Top Heavy Duty	•	•	•	•	•	•	•	•
M3840 Radius Flush Grid				•	•	•		•
M3840 Roller Top Heavy Duty								•
M3843 Tight Radius				•	•			•
M3843 Tight Radius Grip Top				•	•			•
M5020 Flat Top Heavy Duty				•	•			•
M5032 Flush Grid Heavy Duty				•	•			•
M5032 Roller Top Heavy Duty								•
M5131 Raised Rib						•		•
M2510 Flat Top		•		•				•
M5010/60 Flat Top		•		•				•
Timing belts metric								
T5						•		
T10						•		
T20						•		
AT5						•		
AT10						•		
AT20						•		
Timing belts inch								
XL						•		
L						•		
H						•		
XH						•		

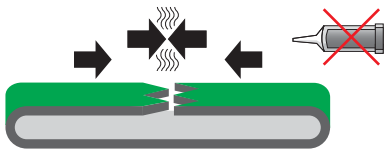
		Bundling machine				Case packing machine		
		Infeed	Overwrapping	Flaps sealing	Outfeed	Infeed	Collation	Insertion
Conveying / Warehouse transport								
Palletizing								
Infeed								
Overwrapping								
Flaps sealing								
Outfeed								
Infeed								
Collation								
Insertion								
Case sealing								
Conveying / Warehouse transport								

The application / belt matrix is one of many solutions. No guarantee is made as to its completeness and suitability for particular applications. For details or further information please contact your local Habasit partner.

Features and Benefits of Various Product Groups

There is a wide variety of product groups containing numerous belt types at your disposal for all your application and process needs. Read on to discover how the product features of each group become value-adding customer benefits that meet your specific application needs.

Hamid machine tapes

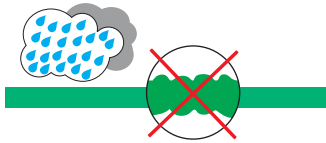


Features

- Simple and fast joining method

Benefits

- Easy handling, adhesive-free
- Minimum equipment needed
- Short machine downtimes



- Low sensitivity to humidity

- High dimensional stability
- No retensioning
- No downtimes



- NBR rubber cover

- Excellent abrasion resistance
- Gentle treatments of goods
- Efficient production output

Polyamide machine tapes



Features

- Excellent dimensional stability, resilient

Benefits

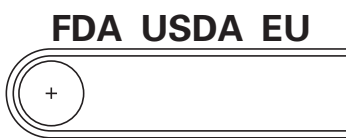
- Forgiving, can cope with intermittent overloads
- Long belt life
- No retensioning



- NBR rubber cover

- Excellent abrasion resistance
- Gentle treatment of goods
- Efficient production output

HabaFLOW® food conveyor and processing belts

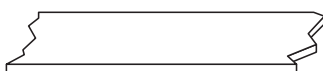


Features

- Suitable for direct food contact due to:
- FDA conformance
 - USDA recommendations
 - EU conformance

Benefits

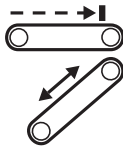
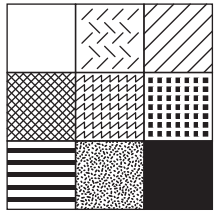
- Meets conformity requirements
- Supports sanitary measures
- Supports precautionary hygienic steps (HACCP)
- Odor-free (taste-neutral)



- Smooth and pore-free conveying side (TPU / TPO)
TPO = Habilene® = Habasit modified TPO / thermoplastic polyolefin

- Smooth and absolutely homogeneous belt conveying surface
- No nutrient medium for bacteria
- Non-marking
- Resistant to food ingredients like oil and fat

High duty conveyor and processing belts



TPO TPU
NBR EPDM
PUR PA

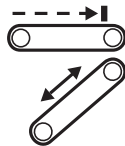
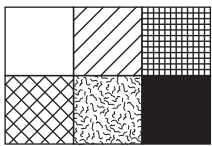
Features

Wide range of belt styles and surface structures made from superior materials such as:
 TPU (thermoplastic polyurethane)
 TPO (polyolefin)
 NBR (acrylonitrile-butadiene-rubber)
 EPDM (ethylene-propylene-terpolymer)
 PUR (cross-linked polyurethane)
 PA (polyamide)

Benefits

- Excellent abrasion resistance
- Constant coefficient of friction throughout entire belt life
- Reliable conveying properties
- No downtimes
- Long belt life
- Efficient production output

Standard PVC conveyor belts



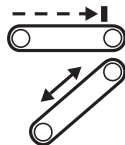
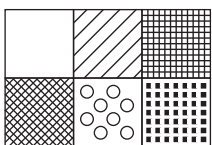
Features

Wide range of belt styles and surface structures, made of PVC

Benefits

- The right conveyor belt for every application

N-Line PVC conveyor and processing belts



Features

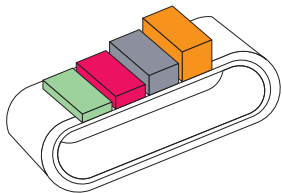
Wide range of belt styles, surface structures and different colors made of PVC

Benefits

- Economic range
- Lower costs

Features and Benefits of Various Product Groups (contd.)

Grabber® belts

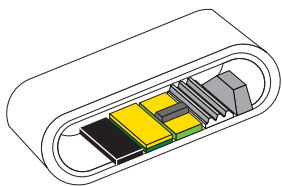


Features

- Wide range of belt styles and surface structures
- Various shore hardnesses
- Different coefficients of friction
- Seamless belt construction available

Benefits

- The right feeder belt for every application
- Gentle and reliable treatment
- No marking of goods
- Efficient and reliable production output
- Constant COF during entire belt life



- A wide range of traction layer materials and profiles
- Seamless substrate components available
- Tight belt length tolerances

- The appropriate strength for every application
- Custom / process specific

RC-Line belts (rubber covered belts)



Features

Wide range of various rubber covers (natural rubber, synthetic rubber, open-cell expanded natural rubber, rubber foam, NBR rubber, Neoprene, etc.)

Benefits

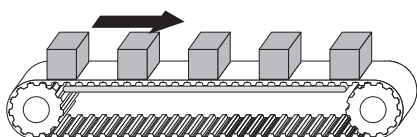
- Excellent pulling and towing
- Constant performance during entire belt life
- Gentle and reliable conveyance
- Efficient production output



A wide range of joined traction layer materials available

- Appropriate strength for every application
- On-site joining possibility

HabaSYNC® polyurethane timing belts

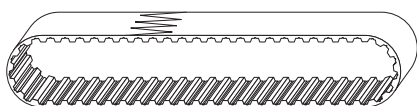


Features

- Synchronous running

Benefits

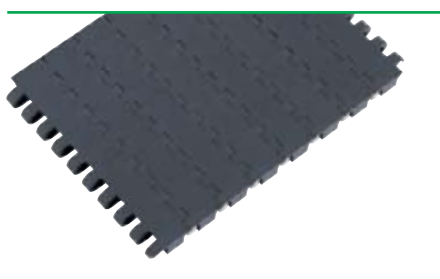

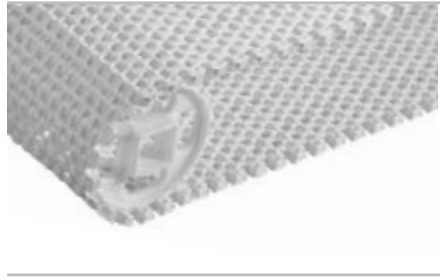



- Precise positioning
- No slipping



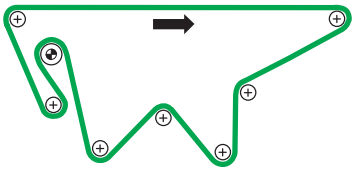
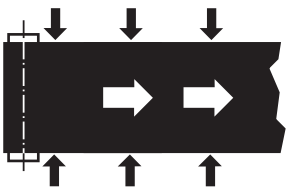
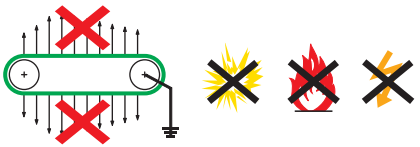
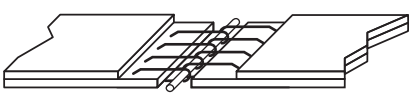
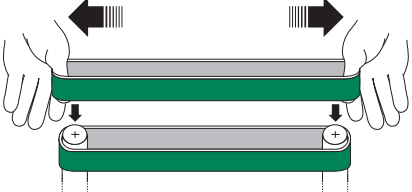
- Polyurethane inherent material feature:
- Abrasion resistance
 - Hydrolysis resistance
 - Oil and ozone resistance
 - Aging resistance

- Robust and multifunctional conveying element
- Custom made length
- Easy joining

HabasitLINK® plastic modular belts

	Features	Benefits
	<ul style="list-style-type: none"> • Excellent flat surface structure • Rounded edges • Strong link design • High strength 	<ul style="list-style-type: none"> → Smooth running at high speed → Virtually no container dipping → Virtually no belt breakage, even with broken glass (types M2620 / M2670) → Downtime reduction
	<ul style="list-style-type: none"> • Radius and straight transport with one single belt 	<ul style="list-style-type: none"> → Larger runs without transfers → Smaller number of drives and motors → Reduced cost for entire system
	<ul style="list-style-type: none"> • Positive drive and tracking 	<ul style="list-style-type: none"> → No need for complex tensioning systems → Proper belt alignment → Elimination of edge damage
	<ul style="list-style-type: none"> • Double teeth sprocket design 	<ul style="list-style-type: none"> → Double row lug sprocket suitable for heavy loads (M2620 / M2670) → Abrasion resistant PA material → Reverse side with small openings → Less space for broken glass
	<ul style="list-style-type: none"> • Noise and vibration absorbent materials 	<ul style="list-style-type: none"> → Low noise → Smooth running
	<ul style="list-style-type: none"> • Suitable for inclines 	<ul style="list-style-type: none"> → Safe grip, even on steep inclines → Precise positioning of transported goods

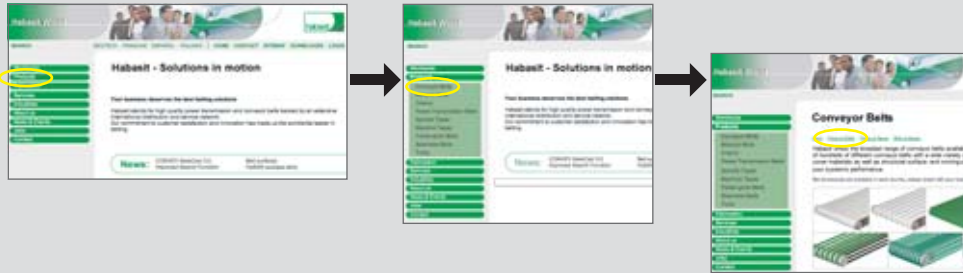
Features and Benefits of Various Product Groups (contd.)

General product benefits	Features	Benefits
	<ul style="list-style-type: none"> • Excellent longitudinal flexibility (partly nosebar suitable → technical data) 	<ul style="list-style-type: none"> → Lower power consumption → Suitable for small pulley diameters → Short transfer distances → Construction / design freedom
	<ul style="list-style-type: none"> • Easy tracking, straight running 	<ul style="list-style-type: none"> → Reliable machine / process operation → No downtimes → Lower costs
	<ul style="list-style-type: none"> • Permanently antistatic belting available (→ technical data) 	<ul style="list-style-type: none"> → No interference with electronic controls → No build-up of electrostatic charge → Less dust and dirt attraction → Interruption-free process → Process reliability and safety
	<ul style="list-style-type: none"> • Mechanical fastener / joining / lacing suitable belts available 	<ul style="list-style-type: none"> → Strong fastener retention → Durable belt connection → Easy and quick installation and de-installation if such handling is required
	<ul style="list-style-type: none"> • Elastic belting available 	<ul style="list-style-type: none"> → Quick installation → No need for tensioning devices → Minimum maintenance → Lower costs

Additional information regarding products, use, application descriptions, technical key data and engineering notes may be found at:

www.habasit.com or **www.habasitlink.com**

Main page:
Select
CONVEYOR BELTS, for example



Product overview / series

Select Product

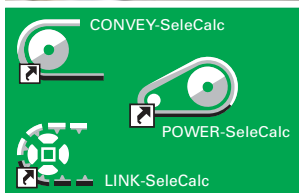
Product Code	Technical Data			Product Characteristics/Change			
	Thickness (mm)	Pulley Diameter (mm)	Tensile Force (N)	Material	Surface	Priority	Notes
100-00000	1.0	50	1.0	EPDM	Black	Standard	
100-00001	1.5	50	1.5	EPDM	Black	Standard	
100-00002	2.0	50	2.0	EPDM	Black	Standard	
100-00003	2.5	50	2.5	EPDM	Black	Standard	
100-00004	3.0	50	3.0	EPDM	Black	Standard	
100-00005	3.5	50	3.5	EPDM	Black	Standard	
100-00006	4.0	50	4.0	EPDM	Black	Standard	
100-00007	4.5	50	4.5	EPDM	Black	Standard	
100-00008	5.0	50	5.0	EPDM	Black	Standard	
100-00009	5.5	50	5.5	EPDM	Black	Standard	
100-00010	6.0	50	6.0	EPDM	Black	Standard	
100-00011	6.5	50	6.5	EPDM	Black	Standard	
100-00012	7.0	50	7.0	EPDM	Black	Standard	
100-00013	7.5	50	7.5	EPDM	Black	Standard	
100-00014	8.0	50	8.0	EPDM	Black	Standard	
100-00015	8.5	50	8.5	EPDM	Black	Standard	
100-00016	9.0	50	9.0	EPDM	Black	Standard	
100-00017	9.5	50	9.5	EPDM	Black	Standard	
100-00018	10.0	50	10.0	EPDM	Black	Standard	
100-00019	10.5	50	10.5	EPDM	Black	Standard	
100-00020	11.0	50	11.0	EPDM	Black	Standard	
100-00021	11.5	50	11.5	EPDM	Black	Standard	
100-00022	12.0	50	12.0	EPDM	Black	Standard	
100-00023	12.5	50	12.5	EPDM	Black	Standard	
100-00024	13.0	50	13.0	EPDM	Black	Standard	
100-00025	13.5	50	13.5	EPDM	Black	Standard	
100-00026	14.0	50	14.0	EPDM	Black	Standard	
100-00027	14.5	50	14.5	EPDM	Black	Standard	
100-00028	15.0	50	15.0	EPDM	Black	Standard	
100-00029	15.5	50	15.5	EPDM	Black	Standard	
100-00030	16.0	50	16.0	EPDM	Black	Standard	
100-00031	16.5	50	16.5	EPDM	Black	Standard	
100-00032	17.0	50	17.0	EPDM	Black	Standard	
100-00033	17.5	50	17.5	EPDM	Black	Standard	
100-00034	18.0	50	18.0	EPDM	Black	Standard	
100-00035	18.5	50	18.5	EPDM	Black	Standard	
100-00036	19.0	50	19.0	EPDM	Black	Standard	
100-00037	19.5	50	19.5	EPDM	Black	Standard	
100-00038	20.0	50	20.0	EPDM	Black	Standard	
100-00039	20.5	50	20.5	EPDM	Black	Standard	
100-00040	21.0	50	21.0	EPDM	Black	Standard	
100-00041	21.5	50	21.5	EPDM	Black	Standard	
100-00042	22.0	50	22.0	EPDM	Black	Standard	
100-00043	22.5	50	22.5	EPDM	Black	Standard	
100-00044	23.0	50	23.0	EPDM	Black	Standard	
100-00045	23.5	50	23.5	EPDM	Black	Standard	
100-00046	24.0	50	24.0	EPDM	Black	Standard	
100-00047	24.5	50	24.5	EPDM	Black	Standard	
100-00048	25.0	50	25.0	EPDM	Black	Standard	
100-00049	25.5	50	25.5	EPDM	Black	Standard	
100-00050	26.0	50	26.0	EPDM	Black	Standard	
100-00051	26.5	50	26.5	EPDM	Black	Standard	
100-00052	27.0	50	27.0	EPDM	Black	Standard	
100-00053	27.5	50	27.5	EPDM	Black	Standard	
100-00054	28.0	50	28.0	EPDM	Black	Standard	
100-00055	28.5	50	28.5	EPDM	Black	Standard	
100-00056	29.0	50	29.0	EPDM	Black	Standard	
100-00057	29.5	50	29.5	EPDM	Black	Standard	
100-00058	30.0	50	30.0	EPDM	Black	Standard	
100-00059	30.5	50	30.5	EPDM	Black	Standard	
100-00060	31.0	50	31.0	EPDM	Black	Standard	
100-00061	31.5	50	31.5	EPDM	Black	Standard	
100-00062	32.0	50	32.0	EPDM	Black	Standard	
100-00063	32.5	50	32.5	EPDM	Black	Standard	
100-00064	33.0	50	33.0	EPDM	Black	Standard	
100-00065	33.5	50	33.5	EPDM	Black	Standard	
100-00066	34.0	50	34.0	EPDM	Black	Standard	
100-00067	34.5	50	34.5	EPDM	Black	Standard	
100-00068	35.0	50	35.0	EPDM	Black	Standard	
100-00069	35.5	50	35.5	EPDM	Black	Standard	
100-00070	36.0	50	36.0	EPDM	Black	Standard	
100-00071	36.5	50	36.5	EPDM	Black	Standard	
100-00072	37.0	50	37.0	EPDM	Black	Standard	
100-00073	37.5	50	37.5	EPDM	Black	Standard	
100-00074	38.0	50	38.0	EPDM	Black	Standard	
100-00075	38.5	50	38.5	EPDM	Black	Standard	
100-00076	39.0	50	39.0	EPDM	Black	Standard	
100-00077	39.5	50	39.5	EPDM	Black	Standard	
100-00078	40.0	50	40.0	EPDM	Black	Standard	
100-00079	40.5	50	40.5	EPDM	Black	Standard	
100-00080	41.0	50	41.0	EPDM	Black	Standard	
100-00081	41.5	50	41.5	EPDM	Black	Standard	
100-00082	42.0	50	42.0	EPDM	Black	Standard	
100-00083	42.5	50	42.5	EPDM	Black	Standard	
100-00084	43.0	50	43.0	EPDM	Black	Standard	
100-00085	43.5	50	43.5	EPDM	Black	Standard	
100-00086	44.0	50	44.0	EPDM	Black	Standard	
100-00087	44.5	50	44.5	EPDM	Black	Standard	
100-00088	45.0	50	45.0	EPDM	Black	Standard	
100-00089	45.5	50	45.5	EPDM	Black	Standard	
100-00090	46.0	50	46.0	EPDM	Black	Standard	
100-00091	46.5	50	46.5	EPDM	Black	Standard	
100-00092	47.0	50	47.0	EPDM	Black	Standard	
100-00093	47.5	50	47.5	EPDM	Black	Standard	
100-00094	48.0	50	48.0	EPDM	Black	Standard	
100-00095	48.5	50	48.5	EPDM	Black	Standard	
100-00096	49.0	50	49.0	EPDM	Black	Standard	
100-00097	49.5	50	49.5	EPDM	Black	Standard	
100-00098	50.0	50	50.0	EPDM	Black	Standard	

Comprehensive services are central to Habasit’s belting solution approach. As committed partners to our customers, we are dedicated to sharing our knowledge and to providing full support.



Consulting and technical support

Habasit offers the best consulting and technical support on the belting market. Everything revolves around our customers. Each affiliate has its own belting experts. The Habasit team proudly provides the highest levels of support and top-quality products enjoyed by the global market for over 60 years.



Assistance with belt selection and calculation

We will select and calculate the most suitable belt for your specific application. You may also do this yourself with our state-of-the-art Habasit selection and calculation program “SeleCalc”. To order this program free of charge, simply call your nearest Habasit partner or contact: info@habasit.com.



Fabrication, assembly and local installation services for quick response times

We make belts endless or assemble modular belts or chains, either at our own locations or on-site directly on your machine or system. Habasit operates 33 affiliated companies worldwide, each with its own inventory, fabrication, assembly and service facilities. Together with our representative offices and numerous qualified distributors, we can respond quickly, competently and reliably to satisfy all your demands.



Customer training programs

Habasit offers training programs and support tools to ensure optimal use of our products and prolong their lifecycles. Training on fabrication, installation, assembly, maintenance and belt repair takes place at Habasit sites or at your location.



Belt monitoring, inspections, analyses and process optimization proposals

We organize and handle belt maintenance, inspections, analyses and surveys for your locations. On request we will also work with you to develop optimization proposals, e.g. to achieve added value from the machinery or process output.



Design assistance for customized solutions

Habasit believes in partnership. Our engineering team will work closely with your engineers on joint design developments, preferably from a very early stage. We particularly recommend this for projects involving new technologies or large-scale modifications and adaptations.

At Habasit, we listen to our customers, innovate continuously and deliver reliable solutions to meet your every need.

Customers come first

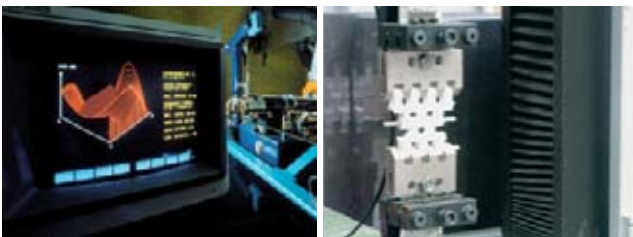
At Habasit we understand that our success depends on your success. This is why we offer solutions, not just products; partnership, not just sales.

Since our foundation in 1946, Habasit has brought this understanding of customer needs to life every day and for every application. That's why we're the No. 1 in belting today. Worldwide.



Committed to innovation

Habasit is strongly committed to the continuous development of innovative, value-added solutions. Over 3% of our staff are dedicated exclusively to R&D, and our annual investment in this area exceeds 8% of turnover.



Certified for quality

We deliver the highest quality standards not only in our products and solutions, but also in our employees' daily work processes. Habasit AG is certified according to ISO 9001:2000.



Worldwide leading product range

Habasit offers the largest selection of belting, conveying, processing and complementary products in the industry. Our response to any request is nothing less than a specific, tailor-made solution.

A selection of our product ranges:



HabaFLOW®
Fabric based conveyor and processing belts

HabasitLINK®/KVP
Plastic modular belts

HabaDRIVE®
Power transmission belts



HabaSYNC®
Timing belts

HabaCHAIN®
Chains (slat and conveyor chains)

HabiPLAST®
Profiles
Guides
Wear strips



Machine tapes

Seamless belts

Round belts



Fabrication tools (joining tools)

Gear reducers
Gearmotors
Motion control

Electric motors

Worldwide support

Our extensive organization is ready to support you anywhere in the world. Engineering and emergency assistance, quotes and order status are just a phone call away. Wherever you are. Whenever you need us.

**For additional information please visit:
www.habasit.com**

Austria

Habasit GmbH, Wien
Phone: +43 1 690 66
www.habasit.at

Belgium

Habasit Belgium N.V., Zaventem
Phone: +32 2 725 04 30
www.habasit.be

Canada

Habasit Canada Ltd., Oakville
Phone: +1 905 827 4131
www.habasit.ca

China

Habasit East Asia Ltd., Hong Kong
Phone: +852 2145 01 50
www.habasit.com.hk

Habasit (Shanghai) Co., Ltd.
Shanghai

Phone: +8621 5488 1228
Phone: +8621 5488 1218
www.habasit.com.hk

Czech Republic

Habasit Bohemia spol. s.r.o., Brno
Phone: +4205 41 421 651
www.habasit.cz

France

Habasit France S.A.S., Mulhouse
Phone: +33 389 33 89 03
www.habasit.fr

Germany

Habasit Rossi GmbH,
Eppertshausen
Phone: +49 6071 969 0
www.habasitrossi.de

Hungary

Habasit Hungária Kft., Esztergom
Phone: +36 33 510 610
www.habasit.hu

India

Habasit-Iakoka Pvt. Ltd., Coimbatore
Phone: +91 422 262 78 79
www.habasitiakoka.com

Italy

Habasit Italiana SpA
Customer Care:
Phone: 199 199 333
For int. calls: +39 0438 911444
www.habasit.it

Japan

Habasit Nippon Co. Ltd., Yokohama
Phone: +81 45 476 03 71
www.habasit.co.jp

Latvia

Habasit Baltic SIA, Daugavpils
Phone: +371 54 074 88
www.habasit.lv

Netherlands

Habasit Netherlands BV, Nijkerk
Phone: +31 33 24 72 030
www.habasit.nl

New Zealand

Habasit Australasia Ltd., Hornby
Phone: +64 3348 5600
www.habasit.co.nz

Norway

Habasit Norge A/S, Oslo
Phone: +47 81 55 84 58
www.habasit.no

Poland

Habasit Polska Sp. zo.o.,
Dąbrowa Górnicza,
Phone: +48 32 639 02 40
www.habasit.pl

Romania

Habasit Import/Export Romania SRL,
Bucuresti, Phone: +40 21 323 95 65
www.habasit.ro

Russia

OOO Habasit Ltd., St. Petersburg
Phone: +7 812 365 64 62
www.habasit.ru

Singapore

Habasit Far East Pte. Ltd., Singapore
Phone: +65 6862 55 66
www.habasit.com.sg

Spain

Habasit Hispanica S.A.,
Barberà del Vallès
Phone: +34 93 719 19 12
www.habasit.es

Sweden

Habasit AB, Hindas
Phone: +46 301 226 00
www.habasit.se

Switzerland

Habasit Schweiz, Reinach
Phone: +41 61 715 15 75
www.habasit.ch

Taiwan

Habasit Rossi (Taiwan) Ltd.
Taipei Hsien
Phone: +886 2 2267 0538
www.habasit.com.tw

Ukraine

Habasit Ukraina, Vinnica
Phone: +38 0432 58 47 35
www.habasit.ua

United Kingdom and Ireland

Habasit Rossi (UK) Ltd., Silsden
Phone: + 44 870 835 9555
www.habasitrossi.co.uk

USA

Habasit Belting LLC,
Suwanee, Georgia,
Phone: +1 800 458 6431
www.habasitusa.com

Habasit Belting LLC (HABT),
Middletown, Connecticut,
Phone: +1 860 632 2211
www.habasitabt.com

KVP, Inc.,
Reading, Pennsylvania,
Phone: +1 610 373 1400
www.kvp-inc.com

Rossi Motoriduttori is one of Europe's largest industry groups for the production and sales of gear reducers, gearmotors, inverters, standard and brake motors.

ROSSI MOTORIDUTTORI

Via Emilia Ovest 915/A
41100 Modena – Italy
Phone: +39 059 33 02 88
Fax: +39 059 82 77 74
www.rossi-group.com
info@rossi-group.com

Headquarters

Habasit AG
Römerstrasse 1
CH-4153 Reinach, Switzerland
Phone +41 61 715 15 15
Fax +41 61 715 15 55
E-mail info@habasit.com
www.habasit.com

Registered trademarks
Copyright Habasit AG
Subject to alterations
Printed in Switzerland
Publication data:
2078BRO.PAC-en0108HQR