

HabasitLINK[®] Modular Belts for Applications in Corrugated Cardboard Manufacturing and Converting.

Your benefits with Habasit plastic modular belts:

- **No “elephant foot”**
- **Perfect stacks**
- **Avoid system-inherent risks of live rollers**
- **Increase your staff’s safety**
- **Very userfriendly and easy handling of narrow stacks**
- **Smooth transport, less waste**



Features and benefits

Plastic modular belts – The alternative belt system

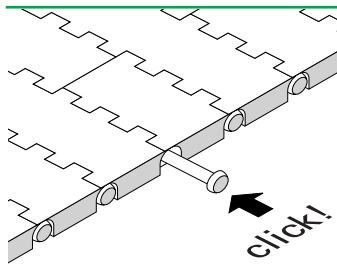
HabasitLINK® modular belts

Based on Habasit's comprehensive knowledge and the leadership position in traditional fabric belting, we have developed the HabasitLINK® modular belt range. This state-of-the-art product line completes our offer as a single source supplier and partner for your success. Plastic modular belts are used successfully in a wide range of industries like paper and cardboard, meat, poultry, fish, fruits, vegetables, bakery, snacks, beverage and bottling, materials handling, tires, automotive, and many more.

In the cardboard manufacturing and converting segment modular belts are for example used to transport a heavy and high pile of cardboard plates from the stacker to the forwarding department or to the next production step.



	Features	Benefits
	<ul style="list-style-type: none"> • Stable transport platform • No gaps compared to live rollers and chains 	<ul style="list-style-type: none"> → You can step on modular belts → Comfortable working environment and increased safety → No "elephant foot" → Narrow stacks up to 180mm wide (E-flute) → Height of stacks up to 5 x width
	<ul style="list-style-type: none"> • Radius and straight transport with one single belt 	<ul style="list-style-type: none"> → Larger runs without transfers → Smaller number of drives and motors → Reduced cost for entire system
	<ul style="list-style-type: none"> • Nosebar construction 	<ul style="list-style-type: none"> → No damage of first sheet of stack → Smooth transfer, stacks remain stable → No "elephant foot"
	<ul style="list-style-type: none"> • Positive drive and tracking by belt engaged with sprocket • Guided belt alignment 	<ul style="list-style-type: none"> → No need for tensioning device → Reliable tracking → Elimination of belt edge damages → Simple system design

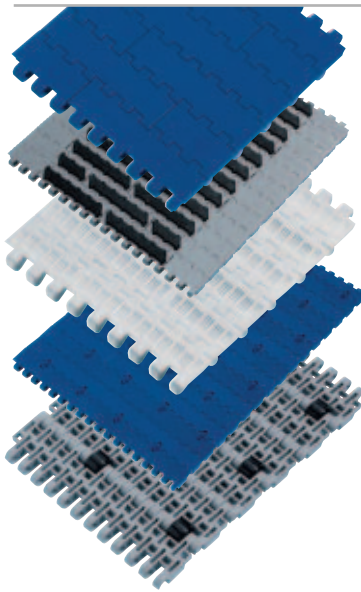


Features

- Easy installation
- Simple and fast assembling

Benefits

- Snap-in assembling method
- Replacement of single belt modules
- Easy repair



- Large variety of plastic materials and colors available
 PP = Polypropylene
 PE = Polyethylene
 POM/AC = Polyoxymethylene/ Acetal
 PA = Polyamide
 FR = Flame retardant (ISO 340, DIN 22103)

- Optimum adaptation to needs of an application
- Tailor-made solutions
- The best solution for each application
- Rough and rugged application suitable (heavy duty rod and belt materials available)
- High lateral stiffness design

- Different module styles, sizes and module strengths available

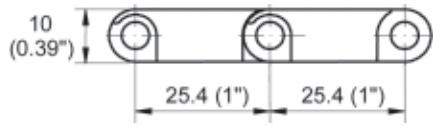
The smart way to get the best from your corrugating line:

Belt application:
Corrugated cardboard

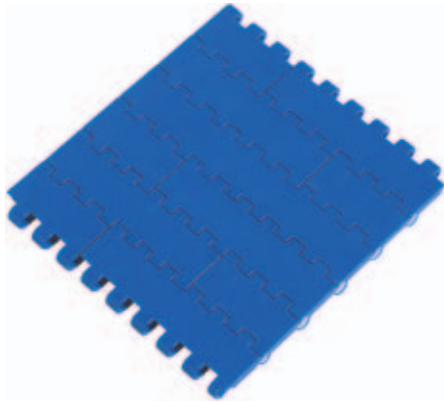
	M1220 Flat Top 0.5"	M1233 Flush Grid 0.5"	M2520 Flat Top 1"	M2533 Flush Grid 1"	Grabber® feeder belts	Folder gluer belts	Conveyor belts
Transfer section/outfeed of crosscutter / slitter							x
Down-stacker	POM	POM	POM PP	POM PP			
Transfer cart	POM	POM	POM PP	POM PP			
Stack handling / buffer	POM	POM	POM PP	POM PP			
90° transfer	POM	POM					
Strap feed	POM	POM	POM PP	POM PP			
Palletizer			POM PP	POM PP			
Casemaker feeder	POM	POM	POM PP	POM PP			
Folder gluer machine					x	x	x

Legend:
 POM = Acetal
 PP = Polypropylene
 x = Please see manual 2020 for details

Product Data Series M2500



Rod diameter 5mm (0.2")



M2520 Flat Top 1"

- High lateral stiffness and strength
- 0% open area
- Easy to wipe-off top surface

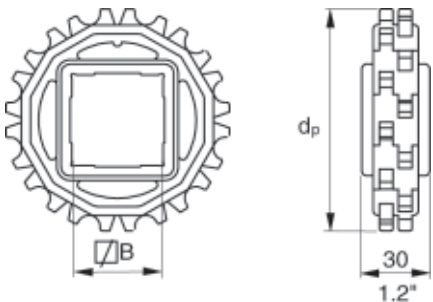
Belt material	Polypropylene	Polyacetal
Standard rod material	POM	PA
Nominal tensile strength [F' N]	N/m	26'000
	lb/ft	1'781



M2533 Flush Grid 1"

- 35% open area; 60% open contact area
- Ideal for drying application and dust removal

Belt material	Polypropylene	Polyacetal
Standard rod material	POM	PA
Nominal tensile strength [F' N]	N/m	22'000
	lb/ft	1'507

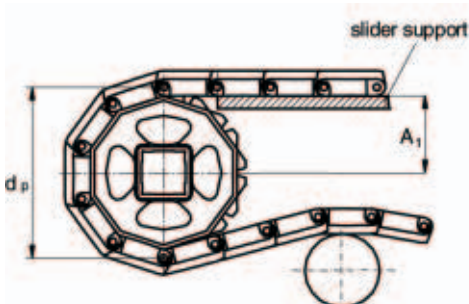


Example: M25S1240Q

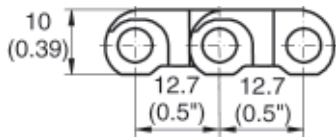
Sprocket M2500 double teeth design

No. of teeth	Pitch Ø d _p		A ₁	
	mm	inch	mm	inch
07	59	2.3	25	0.97
08	67	2.6	28	1.12
10	83	3.3	36	1.43
12	99	3.9	44	1.74
16	131	5.2	60	2.38
18	147	5.8	68	2.69
20	163	6.4	77	3.01

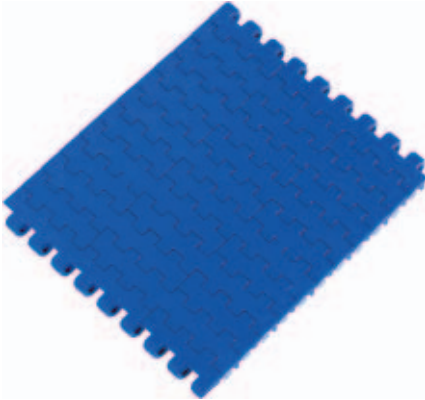
Various square and round bores are available.
(See brochure 4000 and Engineering Guidelines 6002.)



Product Data Series M1200



Rod diameter 5mm (0.2")



M1220 Flat Top 0.5"

- Suitable for "nosebar transfer"
- 0% open area
- Easy to wipe-off top surface

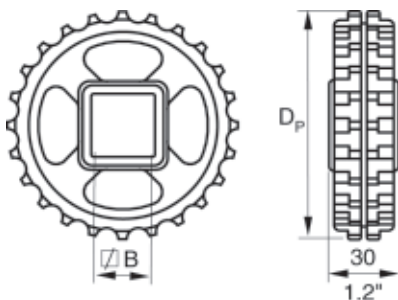
Belt material	Polypropylene	Polyacetal
Standard rod material	POM	PA
Nominal tensile strength [F'_N] N/m	9'000	18'000
	lb/ft	1'233



M1233 Flush Grid 0.5"

- Suitable for "nosebar transfer"
- 25% open area; 70% open contact area
- Ideal for drying application and dust removal

Belt material	Polypropylene	Polyacetal
Standard rod material	POM	PA
Nominal tensile strength [F'_N] N/m	11'000	18'000
	lb/ft	1'233

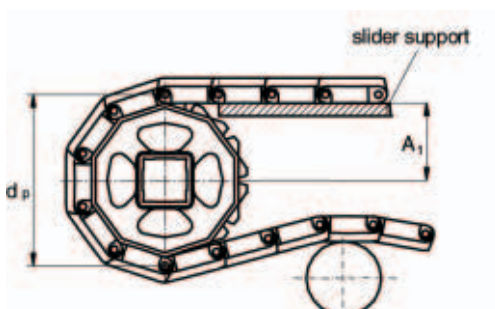


Example: M12S2425Q

Sprocket M1200 double teeth design

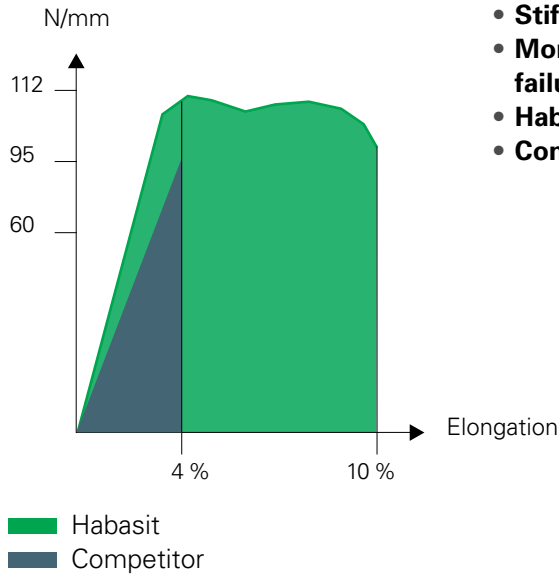
No. of teeth	Pitch $\text{\O} d_p$		A_1	
	mm	inch	mm	inch
10	41	1.6	16	0.63
15	62	2.5	27	1.05
24	99	3.9	45	1.78
28	116	4.6	54	2.12
36	150	5.9	70	2.77

Various square and round bores are available.
(See brochure 4000 and Engineering Guidelines 6002.)



Unparalleled advantages of HabasitLINK®

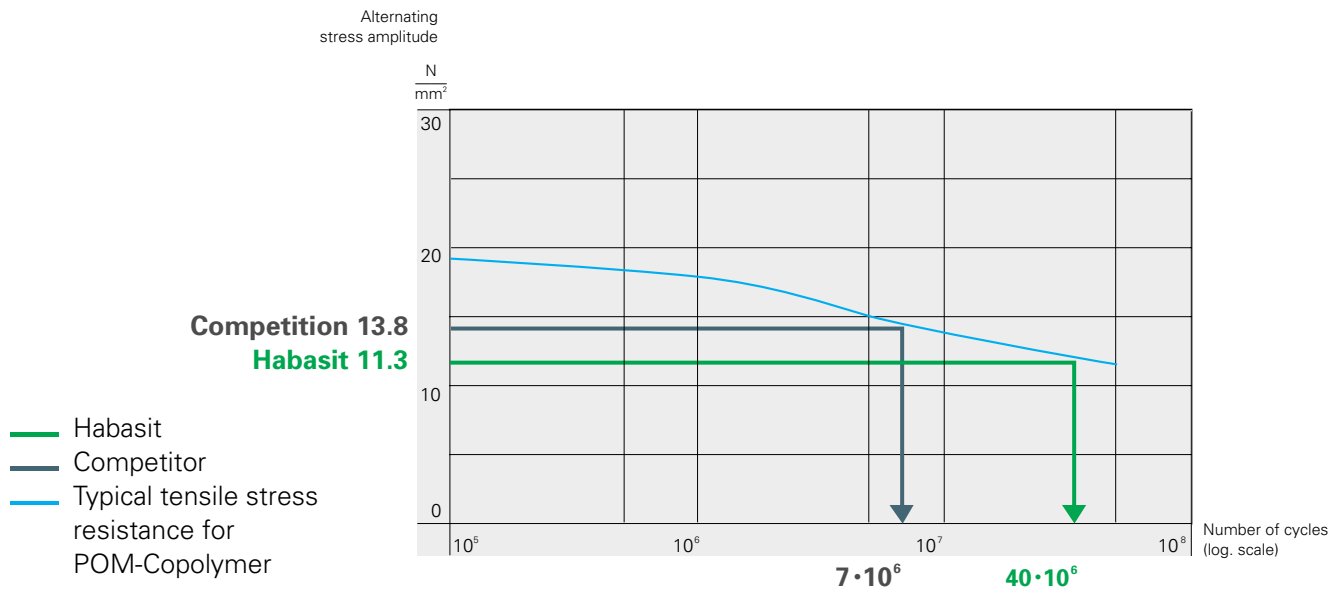
Superior belt strength (Diagram for M2520 POM)



- **Stiffer belt means less stretching, less maintenance**
- **More safety in general (less downtime, less unexpected failures)**
- **Habasit: strength of 112 N/mm; elongation at break 10%**
- **Competitor: strength of 95 N/mm; elongation at break 4%**

Outstanding fatigue lifetime (Diagram for M2520 POM)

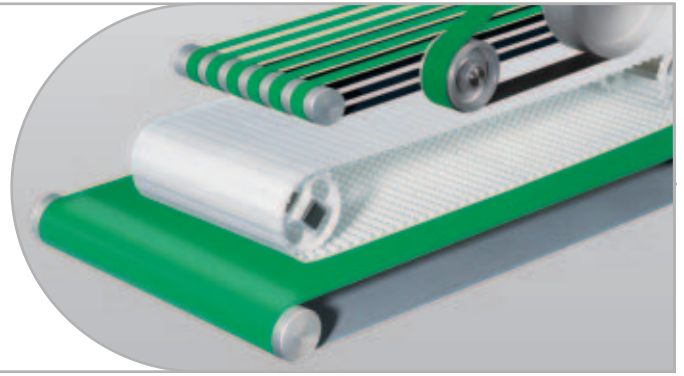
Heavy duty application 26'000 N/m tensile force (750 kg/m², l₀ = 10 m) results in following tensile stress due to different belt design:



- **Robust Habasit design = lower tensile stress = longer lifetime**
Result: > 5 times longer lifetime than competitor

The Habasit Solution

**At Habasit, we listen. We innovate.
And we deliver integrated belting
solutions – right first time.**



Customer first

Habasit understands that our success depends on the success of our customers. That's why we offer solutions, not just products; partnership, not just sales. Our innovative belting solutions are tailored exactly to specific needs. We guarantee best value for money in every application. Since its foundation in 1946, Habasit has proven this understanding of customer needs for more than 50 years. That's why we are the no. 1 in belting. Worldwide.

Product range

Habasit offers the largest selection of fabric and plastic modular belts in the industry. Our answer to any request is nothing less than a specific, tailor-made solution.

Fabric conveyor & processing belts

Plastic modular belts

Power transmission belts

Machine tapes

Seamless belts

Round belts

Timing belts

Auxiliaries (e.g. profiles, tools)



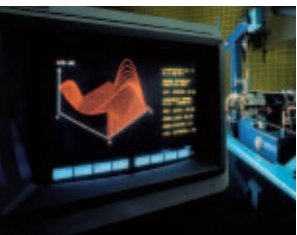
Innovation / R&D

Habasit is strongly committed to the continuous development of innovative, value-added solutions. More than 3% of our staff is dedicated exclusively to R&D; the annual investment in this area exceeds 8% of the turnover.

Global network

Facts & figures

Founded	1946
Turnover 2003	CHF 418 million
Sales to market	4.2 million m ²
Employees	more than 2200
Production plants	12
Affiliated companies	25
Representatives	in over 50 countries
Service centers	over 250 globally



Quality

Highest quality standards are found not only in products, but also in our employees' daily work process. Based on a worldwide TQM approach, Habasit started very early to implement a quality system and was certified already in 1987 according to ISO 9001 / EN 29001. In 1996 Habasit was certified according to ISO 9001:1994. Since then we undergo periodically quality audits performed by an independent certification body. In the year 2002 we achieved certification according to the revised standard ISO 9001:2000.



Services & guarantees

Our extensive organization is prepared to support you anywhere in the world. Engineering and emergency assistance, quotes and order status are just a phone call away. Wherever you are. Whenever you need us.

Customized services



Guaranteed performance

Our faith in our products is such that if one of our sales specialists has recommended a belt for a specific application, we will guarantee its performance. Should for any reason that belt not perform optimally, your money will be refunded unconditionally.



Designing the future "Partner in Design"

Habasit believes in partnership. For joint design developments our engineering team is looking for strong cooperation with the customer's engineering team, preferably at a very early stage. We offer this cooperation to large customers. Co-design: We work together for success



Testing offer for customer

R&D expertise, laboratory and test equipment are offered for the customer's specific process needs like mechanical endurance testing, influence of customer/process used chemicals/ingredients or thermal influence behavior on belts.



Headquarters

Habasit AG
CH-4153 Reinach-Basel
Phone +41 61 715 15 15
Fax +41 61 715 15 55
E-mail info@habasit.com
www.habasit.com
www.habasitLINK.com

Product liability, application considerations If the proper selection and application of Habasit products are not recommended by an authorized Habasit sales specialist, the selection and application of Habasit products, including the related area of product safety, are the responsibility of the customer. All indications/information are recommendations and believed to be reliable, but no representations, guarantees, or warranties of any kind are made as to their accuracy or suitability for particular applications. The data provided herein are based on laboratory work with small-scale test equipment, running at standard conditions, and do not necessarily match product performance in industrial use. New knowledge and experiences can lead to modifications and changes within a short time without prior notice. BECAUSE CONDITIONS OF USE ARE OUTSIDE OF HABASIT'S AND ITS AFFILIATED COMPANIES CONTROL, WE CANNOT ASSUME ANY LIABILITY CONCERNING THE SUITABILITY AND PROCESS ABILITY OF THE PRODUCTS MENTIONED HEREIN. THIS ALSO APPLIES TO PROCESS RESULTS / OUTPUT / MANUFACTURING GOODS AS WELL AS TO POSSIBLE DEFECTS, DAMAGES, CONSEQUENTIAL DAMAGES, AND FURTHER-REACHING CONSEQUENCES.

Registered trademarks
Copyright Habasit AG
Subject to alterations

Printed in Switzerland

Publication data:
2035FLY.PAP-en0704HQR